

GUTTERmaster

ALUMINIUM IN CONSTRUCTION

Shawclough Trading Estate,
Shawclough Road,
Rochdale,
Lancashire.
OL12 6ND

Tel: 01706 869550
Fax: 01706 869551

e-mail: technical@guttermaster
web: www.guttermaster.co.uk

PARTS LIST

QTY	LENGTH	PART NUMBER	DESCRIPTION	MATERIAL	COLOUR & FINISH
		THS-X4	Top Hat Soffit		
		THS-X4-U	Top Hat Soffit Internal Union		

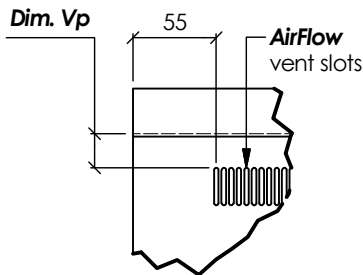
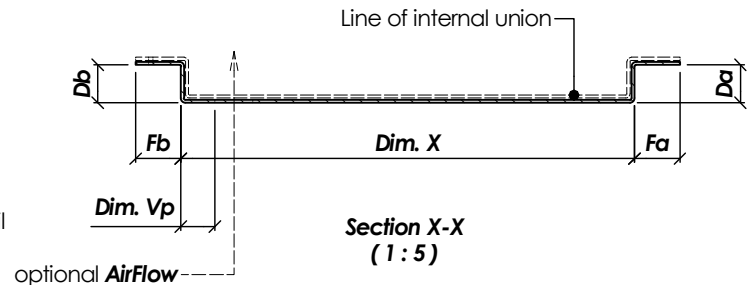
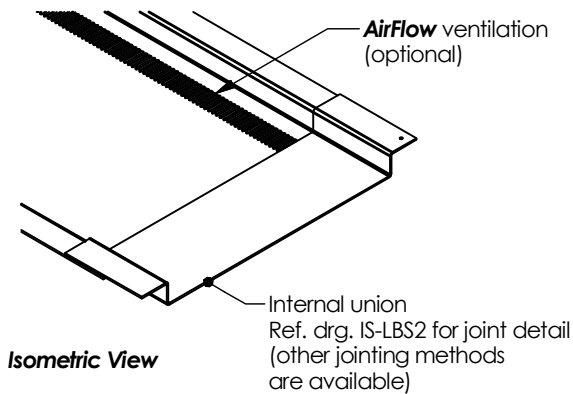
COMPONENT DETAILS

Dimension Description	Reference	Range (mm)	Dimension
Soffit face	Dim. X	25 - 1000	
Fixing Flange 'a'	Fa	min. 15	
Fixing Flange 'b'	Fb	min. 15	
Fixing Flange Depth 'a'	Da	min. 15	
Fixing Flange Depth 'b'	Db	min. 15	
Offset distance to vent (optional)	Dim. Vp	n/a	

MATERIAL THICKNESS GUIDE

Gauge	Dimension (mm)
1.5mm	25 - 239
2.0mm	240 - 539
2.5mm	540 - 689
3.0mm	690 - 939

NB: bending limitations apply to range

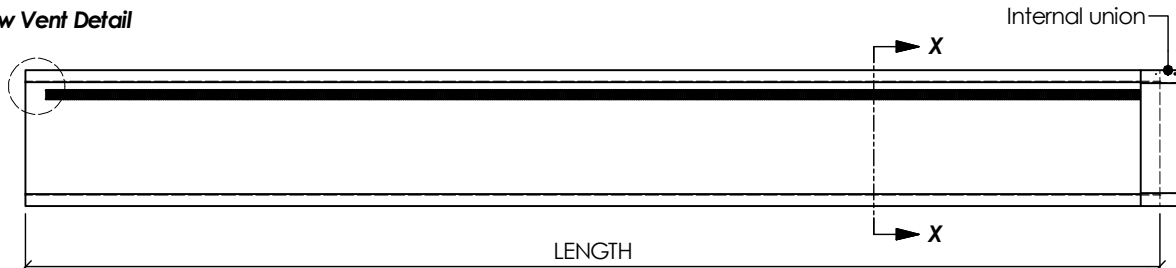


Optional **AirFlow** Ventilation

10000mmsq/m continuous ventilation - use 25x3mm slot for roof pitches over 15°
25000mmsq/m continuous ventilation - use 45x3mm slot for roof pitches of 15° or less

AirFlow Vent Detail (optional)
(1:5)

AirFlow Vent Detail



Client:			
Project: STANDARD FASCIA PROFILES			
Title: TOP HAT SOFFIT PROFILE DETAIL			
Drawing Status: ISSUE FOR INFORMATION			
Drawn by: A.S.	Checked by: A.S.	Date: 18/09/2012	Approved by: _____ Date: _____
Sheet size: A4	Scale: as shown	Sheet No. (of sheets): 1 (of 1)	Drawing No: 0001-THS-X4 Revision: _____