

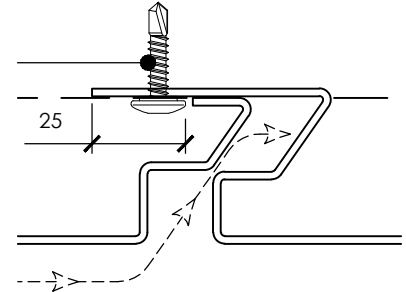
PARTS LIST

QTY	LENGTH	PART NUMBER	DESCRIPTION	MATERIAL	COLOUR & FINISH
-	-	RSF-501-15-length	Robust secret fix panel - xxxmm girth	1.5mm Aluminium	-
-	-	RSF-501-20-length	Robust secret fix panel - xxxmm girth	2.0mm Aluminium	-
-	-	RSF-501-30-length	Robust secret fix panel - xxxmm girth	3.0mm Aluminium	-

Note: shown dimensions for interlock recess set to 0mm at joint

Note: fastener with low profile head

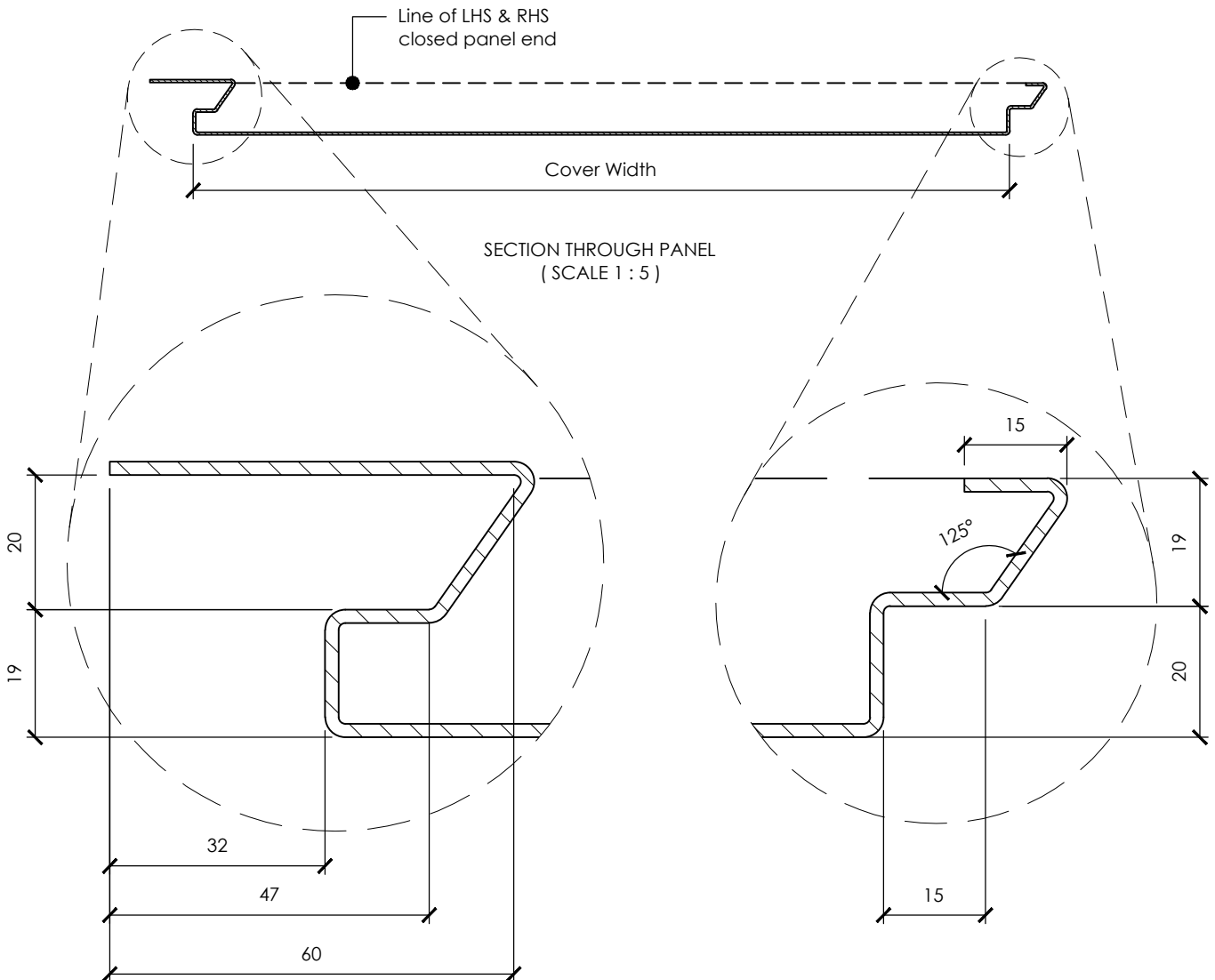
INSTALLATION DETAIL
(SCALE 1 : 2)



Line of LHS & RHS
closed panel end

Cover Width

SECTION THROUGH PANEL
(SCALE 1 : 5)



Client:		-	
Project:		-	
Title:		Robust Secret Fix Panel Detail - 0mm Joint Gap	
Drawing Status:		ISSUE FOR MANUFACTURE	
Drawn by:	Checked by:	Date:	Approved by:
A.S.	A.S.	26-10-11	-
Sheet size:	Project No:	Drawing No:	Revision:
A4	RSF	501-0	