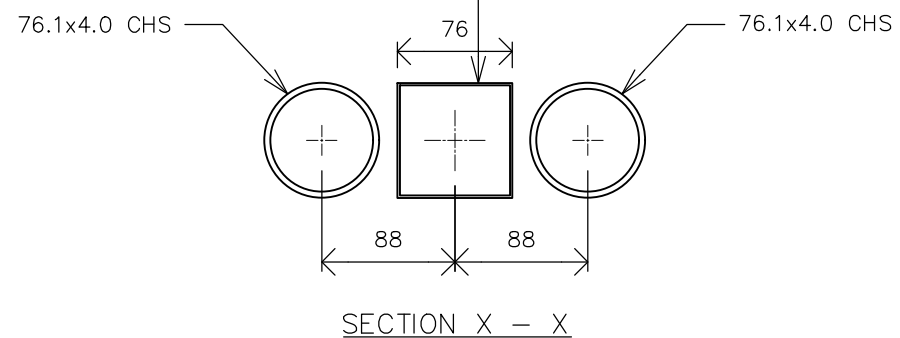
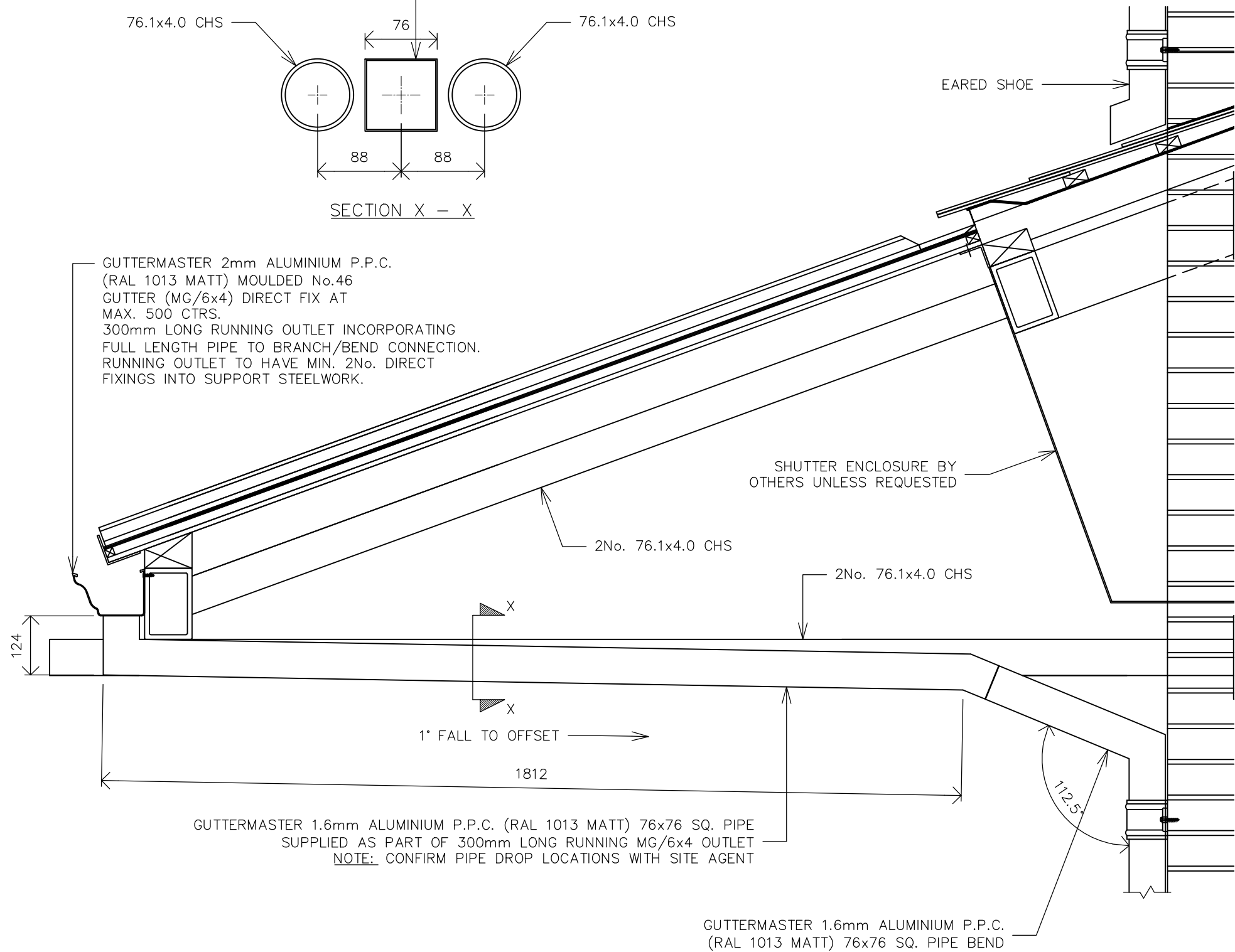


GUTTERMASTER 1.6mm ALUMINIUM P.P.C. (RAL 1013 MATT) 76x76 SQ. PIPE SUPPLIED AS PART OF 300mm LONG RUNNING MG/6x4 OUTLET.
NOTE: CONFIRM PIPE DROP LOCATIONS WITH SITE AGENT



GUTTERMASTER 2mm ALUMINIUM P.P.C. (RAL 1013 MATT) MOULDED No.46 GUTTER (MG/6x4) DIRECT FIX AT MAX. 500 CTRS. 300mm LONG RUNNING OUTLET INCORPORATING FULL LENGTH PIPE TO BRANCH/BEND CONNECTION. RUNNING OUTLET TO HAVE MIN. 2No. DIRECT FIXINGS INTO SUPPORT STEELWORK.



GUTTERMASTER 1.6mm ALUMINIUM P.P.C. (RAL 1013 MATT) 76x76 SQ. PIPE SUPPLIED AS PART OF 300mm LONG RUNNING MG/6x4 OUTLET
NOTE: CONFIRM PIPE DROP LOCATIONS WITH SITE AGENT

GUTTERMASTER 1.6mm ALUMINIUM P.P.C. (RAL 1013 MATT) 76x76 SQ. PIPE BEND

GLAZED CANOPY GUTTER & OUTLET DETAIL (AT CONNECTION TO BEND)

GENERAL NOTES:

1. ALL DIMENSIONS MUST BE CHECKED ON SITE AND ANY DISCREPANCIES REPORTED TO GUTTERMASTER LTD. PRIOR TO COMMENCEMENT OF WORK.
2. DO NOT SCALE FROM THIS DRAWING – USE FIGURED DIMENSIONS ONLY.
3. THIS DRAWINGS REMAINS THE PROPERTY OF GUTTERMASTER AND MUST NOT BE COPIED OR DISCLOSED TO A THIRD PARTY WITHOUT PRIOR CONSENT.
4. IF IN DOUBT ASK!

ASSEMBLY RECOMMENDATIONS:

1. P.V.C. ISOLATING TAPE TO BE PLACED BETWEEN DISSIMILAR METAL SURFACES.
 2. USE AUSTENITIC STAINLESS STEEL FASTENERS WITH LOW PROFILE HEADS WHERE DISSIMILAR METALS ARE PRESENT – SUPPLIER/MANUFACTURER: SFS INTEC, IRIUS FIXINGS.
 3. PRE DRILL HOLES FOR FIXINGS. 1mm CLEARANCE AROUND FIXING TO ALLOW FOR EXPANSION AND THUS PREVENT PROFILE DISTORTION.
 4. ALLOW 1mm PER METRE EXPANSION GAP BETWEEN PROFILE LENGTHS (eg. 3mm GAP BETWEEN 3000mm PROFILE LENGTH).
 5. APPLY LOW-MODULUS SILICONE SEALANT BETWEEN UNION AND PROFILE.
- FOR PROJECT SPECIFIC REQUIREMENTS PLEASE CONTACT GUTTERMASTER LTD.

ISSUE FOR CONSTRUCTION

	DRAWING CHECKED
PRINT NAME	
SIGN NAME	
DATE	
CLIENT	
CONTRACT	
DATE	
DRAWN BY	A.S.
TITLE	GLAZED CANOPY GUTTER & OUTLET DETAIL (BEND)

GUTTERmaster

ALUMINIUM IN CONSTRUCTION

Shawclough Trading Estate, Shawclough Road,
 Rochdale, Lancashire. OL12 6ND.
 Tel: 01706 869550 Fax: 01706 869551
 e-mail: sales@guttermaster.co.uk

Revision	Date	Details
----------	------	---------

DWG NO	GM/1178/431/B	SCALE	1:5/1:10 (A3)
--------	---------------	-------	---------------