

GUTTERmaster

ALUMINIUM IN CONSTRUCTION

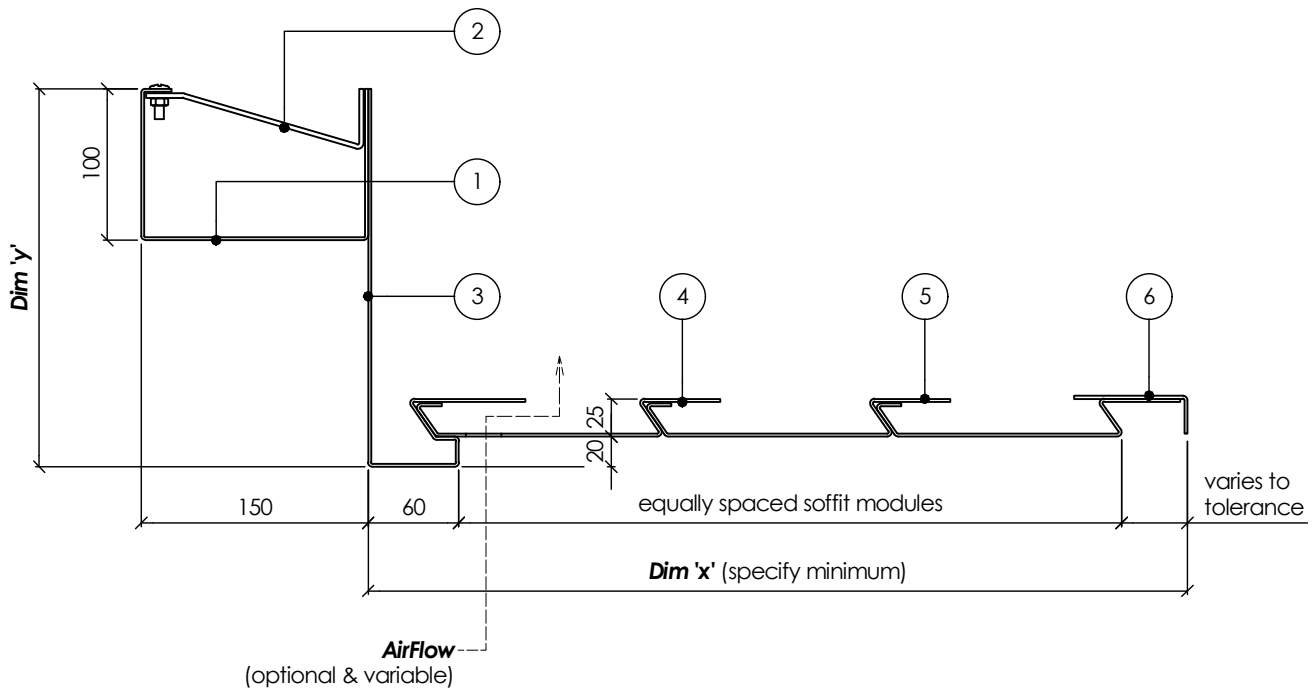
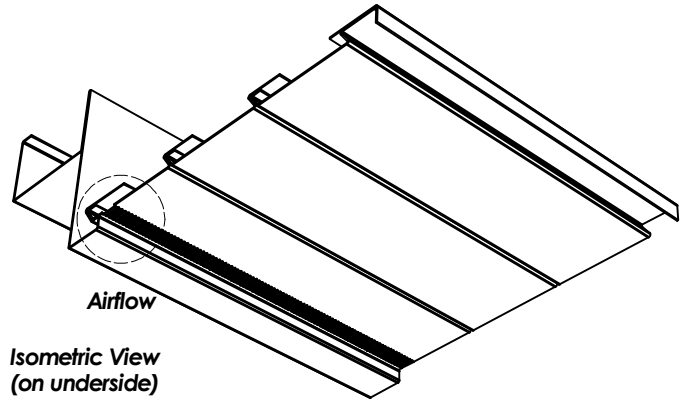
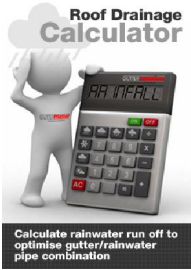
Shawclough Trading Estate,
Shawclough Road,
Rochdale,
Lancashire.
OL12 6ND

Tel: 01706 869550
Fax: 01706 869551

e-mail: technical@guttermaster
web: www.guttermaster.co.uk

PARTS LIST

ITEM	DESCRIPTION	MATERIAL	COLOUR & FINISH
1	Rectangular Box Gutter System	2-3mm Aluminum	RAL/BS
2	Gutter Cross Restraint Bracket	2-3mm Aluminum	RAL/BS
3	TrimFix Fascia with Secret Fix Soffit Interface	2-3mm Aluminum	RAL/BS
4	Secret Fix Soffit with AirFlow Ventilation	2-3mm Aluminum	RAL/BS
5	Secret Fix Soffit	2-3mm Aluminum	RAL/BS
6	Closure Trim	2-3mm Aluminum	RAL/BS



Optional **AirFlow** Ventilation

Ventilation slots sized to suit ventilation requirements and position as specified in a discreet location

- 10000mmsq/m continuous ventilation
use 25x3mm slot for roof pitches over 15°
- 25000mmsq/m continuous ventilation
use 45x3mm slot for roof pitches of 15° or less

Client:				-
Project:				-
Title:				TYPICAL EAVES COMBINATION 001
Drawing Status:				ISSUE FOR INFORMATION
Drawn by:	Checked by:	Date:	Approved by:	Date:
A.S.	A.S.	27/09/2011		
Sheet size:	Scale:	Sheet No. (of sheets):	Drawing No.:	Revision:
A4	as shown	1 (of 1)	ECOM-001	