



The first truly new gutter profile for years - the inside half-round profile provides the ideal shape for efficient drainage whilst the external "Serpentine" shape adds visually pleasing curves to both new and refurbished eaves.

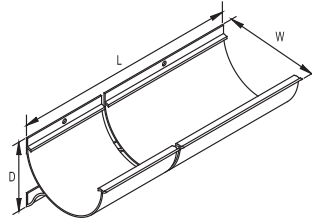
2.0mm thick high strength aluminium extrusion (alloy 6063T6) results in a gutter more than strong enough to withstand everyday loads, whilst the bottom leg provides added support for snow loading.

Designed to be fixed without the need for brackets, the Serpentine HR gutter gives a smooth unbroken appearance. With straightness tolerances of +/- 1.5mm/metre, the extrusion process offers the cleanest lines possible.

Standard Gutter Length

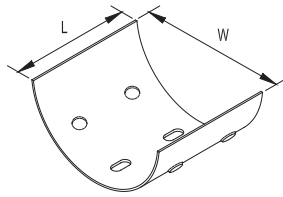
Use maximum length to minimise joints.

dim (mm)	Ref: SG/135	SG/175
W	135	175
T	2	2.5
D	100	130
L	To 3000	To 3000



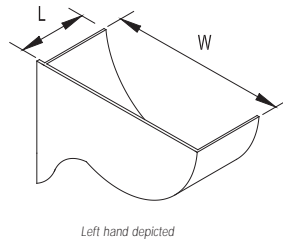
Union Joints

dim (mm)	Ref: SUJ/135	SUJ/175
L	98	98
W	120	160



Stop Ends

RIGHT HAND		
dim (mm)	Ref: SSRH/135	SSRH/175
L	49	49
W	120	160
LEFT HAND		
dim (mm)	Ref: SSLH/135	SSLH/175
L	49	49
W	120	160



Special Features:

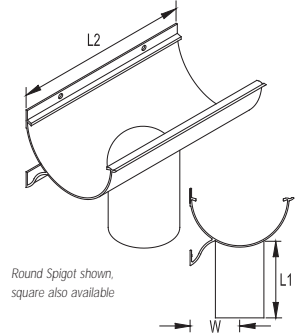
- The unique profile (Registered Design No. 2094352) allows the gutter to be fixed without brackets, resulting in speedy, economical installation.
- The lip detail at the top of the gutter section allows the joint to lock into place.
- The "Serpentine" leg feature provides snow loading support along the full length of the gutter.
- A totally distinctive appearance.

Running Outlets

Where deep fascia boards are to be used 'L1' can be increased. This should be noted when specifying.

dim (mm)	Ref: SRO/135	SRO/175
L1	100	100
L2	300	300
W	69	89

Spigots can be fitted to suit all sizes of rainwater pipes except SRO/135 which cannot accommodate 150 Ø or 150 square rainwater pipes.



Angles

Where Ø is 90°

EXTERNAL ANGLE

dim (mm)	Ref: SEX90/135	SEX90/175
L	285	310

INTERNAL ANGLE

dim (mm)	Ref: SIN90/135	SIN90/175
L	285	310

Where Ø is 135°

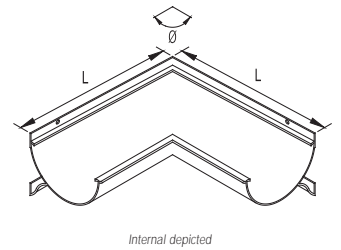
EXTERNAL ANGLE

dim (mm)	Ref: SEX45/135	SEX45/175
L	206	222

INTERNAL ANGLE

dim (mm)	Ref: SIN45/135	SIN45/175
L1	206	222

Angles are available in standard 90° & 135° (Ø). non-standard angles can also be supplied.



FIXING THE GUTTER (A)

Position the outlets to line up with drain location. Fix the outlets to the fascia board through the holes provided. Similarly, fix angles and stop ends. Set a line between the angles and outlets or stop ends, and fix gutter lengths at 500mm centres, again using the holes provided. Gutters should be secured to the fascia board using No.10 x 25mm zinc plated or stainless steel roundhead twin-threaded woodscrews.

SEALING THE JOINTS

Ensure both surfaces of the gutter joint are clean - Guttermaster recommends the use of loctite 7063 Cleaner. Apply low modulus neutral cure silicone to BS5889 (type A) in 6mm diameter continuous beads around the full girth of the gutter. Set gutters 3mm apart (to allow thermal movement) and insert the union clip. Secure aluminium bolts using 22mm diameter aluminium washer and nuts (provided by Guttermaster). The spacers in the joint will offer resistance when the bolts are tight enough - DO NOT OVERTIGHTEN. Smear sealant around exposed threads of bolts. Remove excess sealant. Allow 24 hours for partial cure.

FURTHER INFORMATION CAN BE FOUND IN INSTRUCTION SHEET REF. IS-SG1, AVAILABLE ON REQUEST

