

GUTTERmaster

ALUMINIUM IN CONSTRUCTION

Shawclough Trading Estate,
Shawclough Road,
Rochdale,
Lancashire,
OL12 6ND

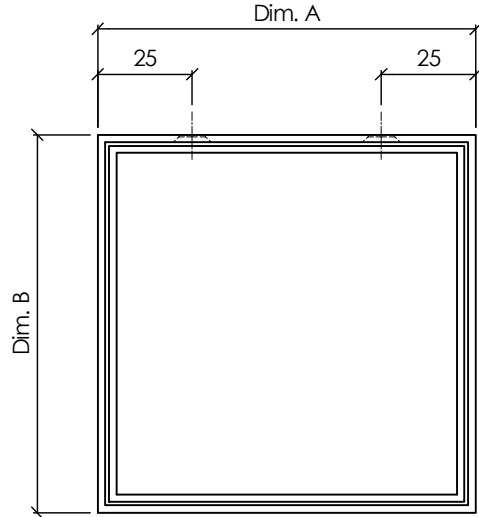
Tel: 01706 869550
Fax: 01706 869551

e-mail: technical@guttermaster
web: www.guttermaster.co.uk

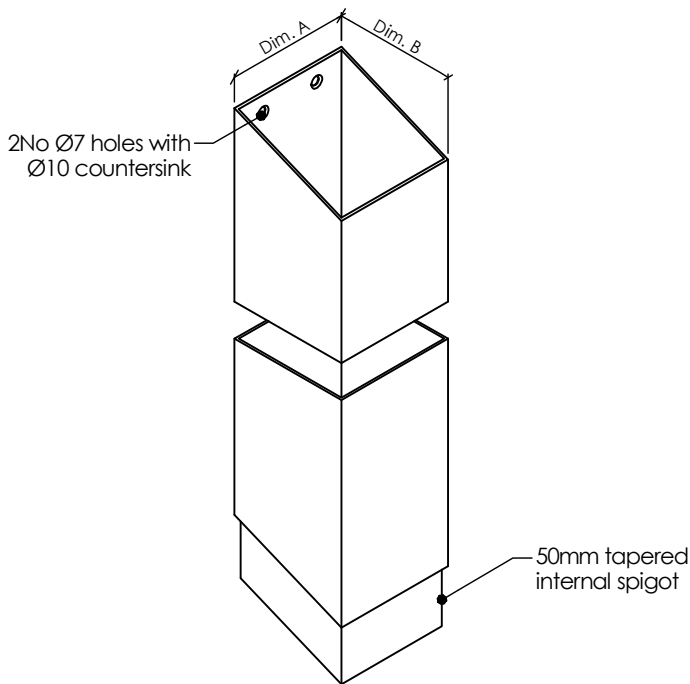
PARTS LIST

QTY	LENGTH	PART NUMBER	DESCRIPTION	MATERIAL	COLOUR & FINISH
		FF	Flush Fix Security Pipe	2/3mm Aluminum	

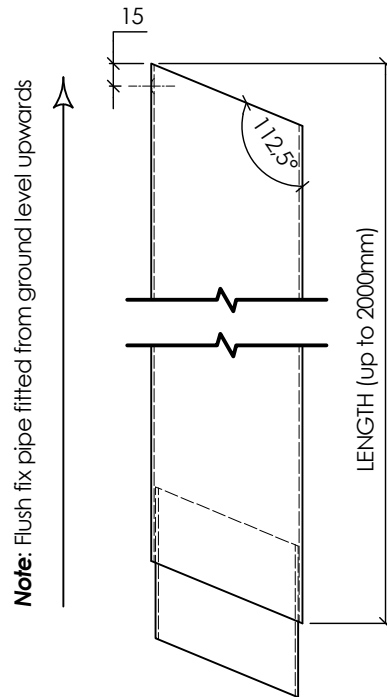
STANDARD FLUSH FIX PIPE SIZES			
Pipe Reference	Dim. A	Dim. B	Tick Required
FF/3x3	76	76	
FF/4x3	100	76	
FF/4x4	100	100	
FF/6x6	150	150	
FF/8x8	200	200	



VIEW ON PLAN (1 : 2)



ISOMETRIC VIEW



SIDE VIEW (1 : 5)

Client:	-			
Project:	-			
Title:	Flush Fix Pipe Detail			
Drawing Status:	ISSUE FOR INFORMATION			
Drawn by:	Checked by:	Date:	Approved by:	Date:
A.S.	A.S.	12/01/2010		
Sheet size:	Sheet No. (of sheets):	Project No.:	Drawing No.:	Revision:
A4	1 (of 25)	-	FF-Broadway Malyan	

GUTTERmaster

ALUMINIUM IN CONSTRUCTION

Shawclough Trading Estate,
Shawclough Road,
Rochdale,
Lancashire.
OL12 6ND

Tel: 01706 869550
Fax: 01706 869551

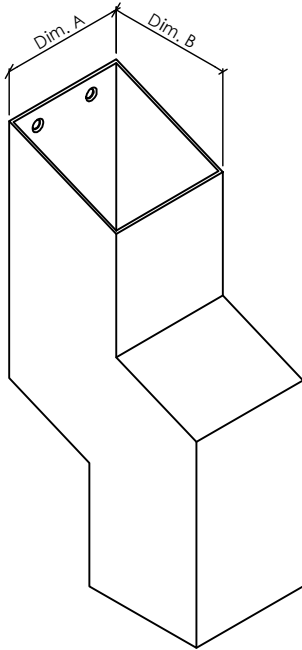
e-mail: technical@guttermaster
web: www.guttermaster.co.uk

PARTS LIST

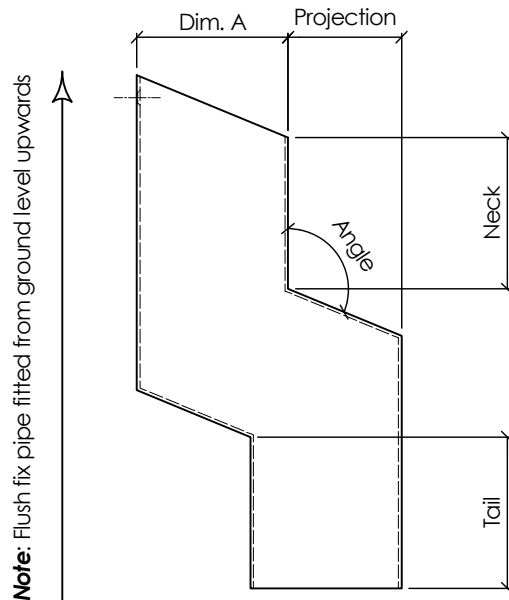
QTY	LENGTH	PART NUMBER	DESCRIPTION	MATERIAL	COLOUR & FINISH
		FFBO	Flush Fix Base Offset	2/3mm Aluminum	

STANDARD FLUSH FIX PIPE SIZES			
Pipe Reference	Dim. A	Dim. B	Tick Required
FF/3x3	76	76	
FF/4x3	100	76	
FF/4x4	100	100	
FF/6x6	150	150	
FF/8x8	200	200	

COMPONENT DETAILS		
Description	Standard Dim.	Specify Dim.
Projection (mm)	-	
Angle (degrees)	92.5 / 112.5 / 135	
Neck (mm)	100	
Tail (mm)	100	



ISOMETRIC VIEW



SIDE VIEW (1 : 5)

Client:	-		
Project:	-		
Title:	Flush Fix Base Offset Detail		
Drawing Status:	ISSUE FOR INFORMATION		
Drawn by:	Checked by:	Date:	Approved by:
A.S.	A.S.	12/01/2010	
Sheet size:	Sheet No. (of sheets):	Project No:	Drawing No: Revision:
A4	2 (of 25)	-	FF-Broadway Malyan

GUTTERmaster

ALUMINIUM IN CONSTRUCTION

Shawclough Trading Estate,
Shawclough Road,
Rochdale,
Lancashire.
OL12 6ND

Tel: 01706 869550
Fax: 01706 869551

e-mail: technical@guttermaster
web: www.guttermaster.co.uk

PARTS LIST

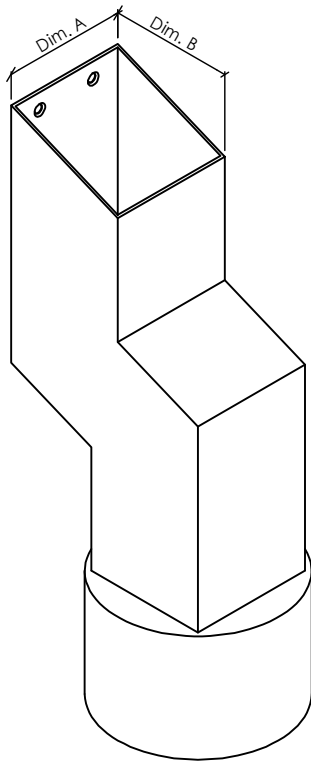
QTY	LENGTH	PART NUMBER	DESCRIPTION	MATERIAL	COLOUR & FINISH
		FFBO-AD	Flush Fix Base Offset with Drain Adapter	2/3mm Aluminum	

STANDARD FLUSH FIX PIPE SIZES

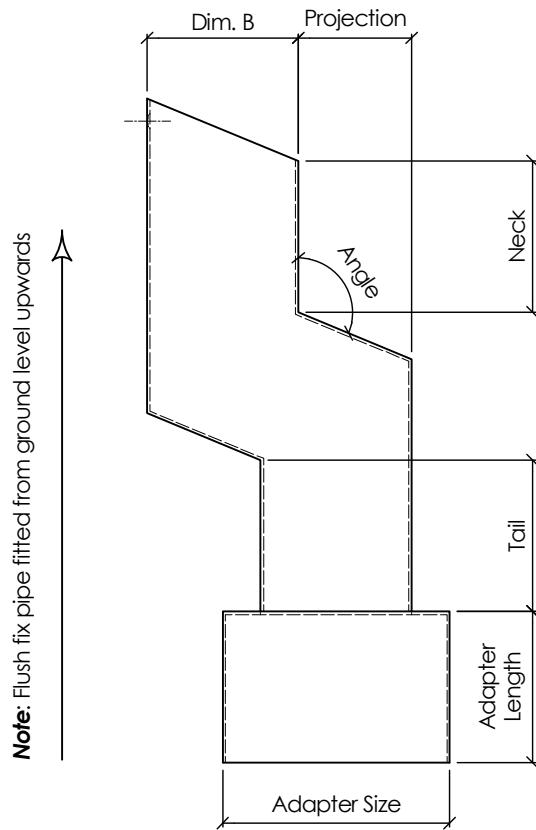
Pipe Reference	Dim. A	Dim. B	Tick Required
FF/3x3	76	76	
FF/4x3	100	76	
FF/4x4	100	100	
FF/6x6	150	150	
FF/8x8	200	200	

COMPONENT DETAILS

Description	Standard Dim.	Specify Dim.
Projection (mm)	-	
Angle (degrees)	92.5 / 112.5 / 135	
Neck (mm)	100	
Tail (mm)	100	
Adapter Size (mm)	-	
Adapter Length (mm)	-	



ISOMETRIC VIEW



SIDE VIEW (1 : 5)

Client:	-			
Project:	-			
Title:	Flush Fix Pipe Offset Adapter Detail			
Drawing Status:	ISSUE FOR INFORMATION			
Drawn by:	Checked by:	Date:	Approved by:	Date:
A.S.	A.S.	12/01/2010		
Sheet size:	Sheet No. (of sheets):	Project No:	Drawing No:	Revision:
A4	3 (of 25)	-	FF-Broadway Malyan	

GUTTERmaster

ALUMINIUM IN CONSTRUCTION

Shawclough Trading Estate,
Shawclough Road,
Rochdale,
Lancashire.
OL12 6ND

Tel: 01706 869550
Fax: 01706 869551

e-mail: technical@guttermaster
web: www.guttermaster.co.uk

PARTS LIST

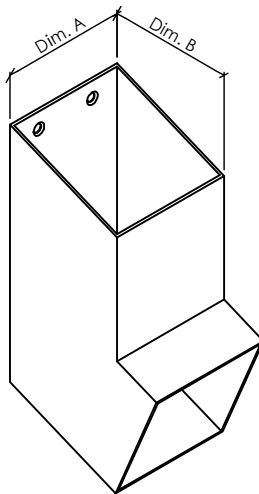
QTY	LENGTH	PART NUMBER	DESCRIPTION	MATERIAL	COLOUR & FINISH
		FFSH	Flush Fix Shoe	2/3mm Aluminum	

STANDARD FLUSH FIX PIPE SIZES

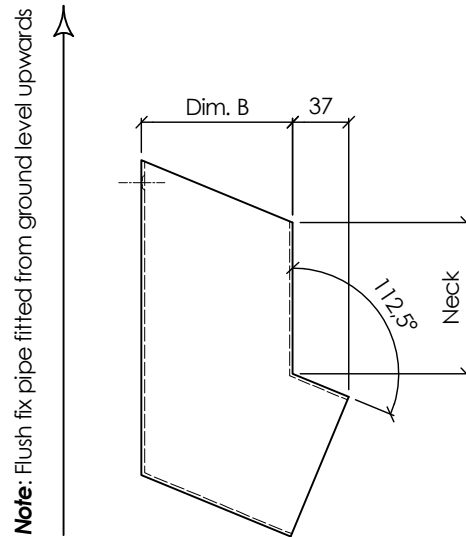
Pipe Reference	Dim. A	Dim. B	Tick Required
FF/3x3	76	76	
FF/4x3	100	76	
FF/4x4	100	100	
FF/6x6	150	150	
FF/8x8	200	200	

COMPONENT DETAILS

Description	Standard Dim.	Specify Dim.
Neck (mm)	100	



ISOMETRIC VIEW



SIDE VIEW (1 : 5)

Client:	-			
Project:	-			
Title:	Flush Fix Pipe Shoe Detail			
Drawing Status:	ISSUE FOR INFORMATION			
Drawn by:	Checked by:	Date:	Approved by:	Date:
A.S.	A.S.	12/01/2010		
Sheet size:	Sheet No. (of sheets):	Project No:	Drawing No:	Revision:
A4	4 (of 25)	-	FF-Broadway Malyan	

GUTTERmaster

ALUMINIUM IN CONSTRUCTION

Shawclough Trading Estate,
Shawclough Road,
Rochdale,
Lancashire.
OL12 6ND

Tel: 01706 869550
Fax: 01706 869551

e-mail: technical@guttermaster
web: www.guttermaster.co.uk

PARTS LIST

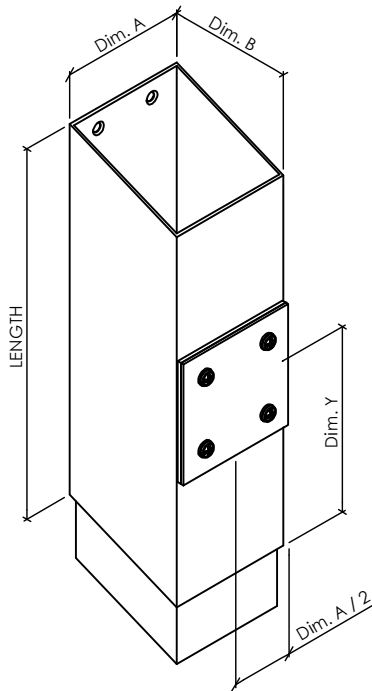
QTY	LENGTH	PART NUMBER	DESCRIPTION	MATERIAL	COLOUR & FINISH
		FFAP	Flush Fix Access Pipe/Rodding Eye	2/3mm Aluminum	

STANDARD FLUSH FIX PIPE SIZES

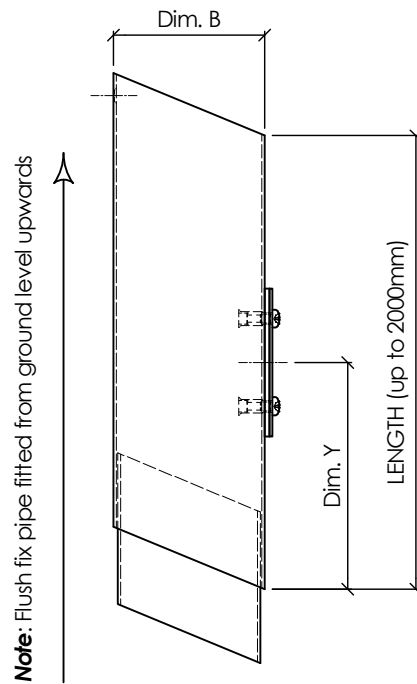
Pipe Reference	Dim. A	Dim. B	Tick Required
FF/3x3	76	76	
FF/4x3	100	76	
FF/4x4	100	100	
FF/6x6	150	150	
FF/8x8	200	200	

COMPONENT DETAILS

Description	Standard Dim.	Specify Dim.
Dim Y (to hole centre in mm)	LENGTH / 2	



ISOMETRIC VIEW



Note: Flush fix pipe fitted from ground level upwards

SIDE VIEW (1 : 5)

Client:	-			
Project:	-			
Title:	Flush Fix Access Pipe/Rodding Eye Detail			
Drawing Status:	ISSUE FOR INFORMATION			
Drawn by:	Checked by:	Date:	Approved by:	Date:
A.S.	A.S.	12/01/2010		
Sheet size:	Sheet No. (of sheets):	Project No:	Drawing No:	Revision:
A4	5 (of 25)	-	FF-Broadway Malyan	

GUTTERmaster

ALUMINIUM IN CONSTRUCTION

Shawclough Trading Estate,
Shawclough Road,
Rochdale,
Lancashire.
OL12 6ND

Tel: 01706 869550
Fax: 01706 869551

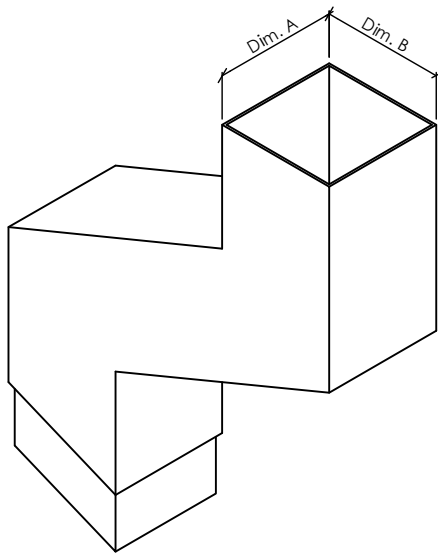
e-mail: technical@guttermaster
web: www.guttermaster.co.uk

PARTS LIST

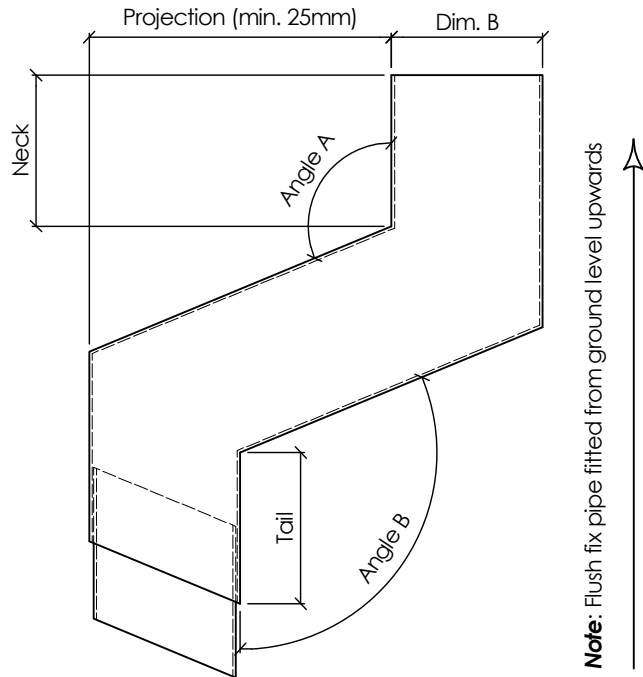
QTY	LENGTH	PART NUMBER	DESCRIPTION	MATERIAL	COLOUR & FINISH
		FFOF1	Flush Fix 1-Part Eaves Offset	2/3mm Aluminum	

STANDARD FLUSH FIX PIPE SIZES			
Pipe Reference	Dim. A	Dim. B	Tick Required
FF/3x3	76	76	
FF/4x3	100	76	
FF/4x4	100	100	
FF/6x6	150	150	
FF/8x8	200	200	

COMPONENT DETAILS		
Description	Standard Dim.	Specify Dim.
Projection (mm)	-	
Angle A (degrees)	92.5 / 112.5 / 135	
Angle B (degrees)	92.5 / 112.5 / 135	
Neck (mm)	100	
Tail (mm)	100	



ISOMETRIC VIEW



SIDE VIEW (1 : 5)

Note: Flush fix pipe fitted from ground level upwards

Client:					-
Project:					-
Title:					Flush Fix Pipe 1-Part Eaves Offset Detail
Drawing Status:					ISSUE FOR INFORMATION
Drawn by:	Checked by:	Date:	Approved by:	Date:	
A.S.	A.S.	12/01/2010			
Sheet size:	Sheet No. (of sheets):	Project No.:	Drawing No.:	Revision:	
A4	6 (of 25)	-	FF-Broadway Malyan		

GUTTERmaster

ALUMINIUM IN CONSTRUCTION

Shawclough Trading Estate,
Shawclough Road,
Rochdale,
Lancashire.
OL12 6ND

Tel: 01706 869550
Fax: 01706 869551

e-mail: technical@guttermaster
web: www.guttermaster.co.uk

PARTS LIST

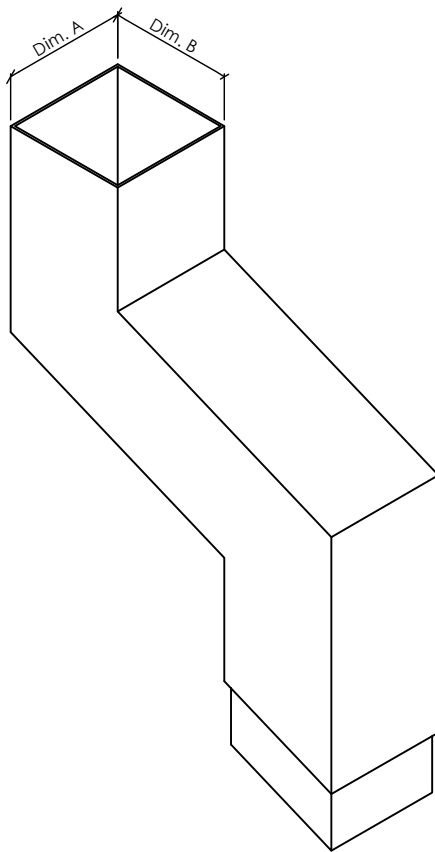
QTY	LENGTH	PART NUMBER	DESCRIPTION	MATERIAL	COLOUR & FINISH
		FFPOF1	Flush Fix 1-Part Forward Projection Eaves Offset	2/3mm Aluminum	

STANDARD FLUSH FIX PIPE SIZES

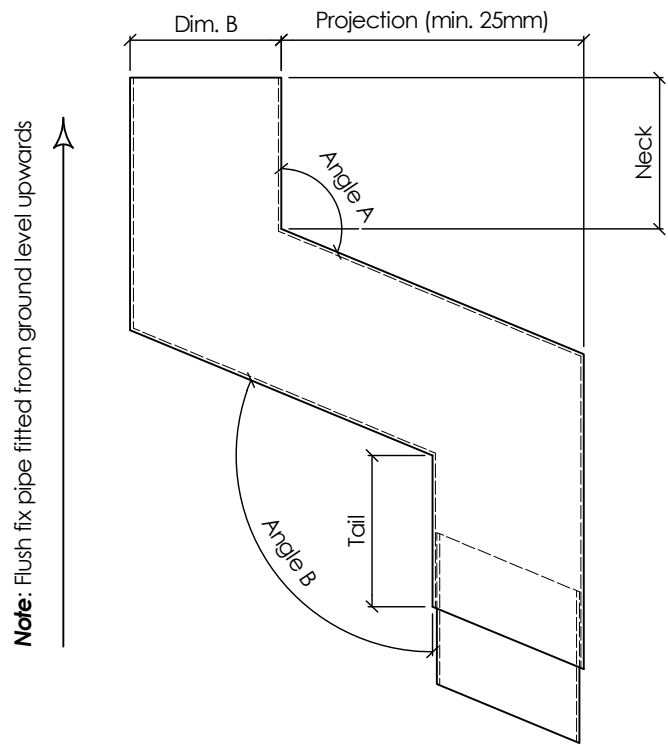
Pipe Reference	Dim. A	Dim. B	Tick Required
FF/3x3	76	76	
FF/4x3	100	76	
FF/4x4	100	100	
FF/6x6	150	150	
FF/8x8	200	200	

COMPONENT DETAILS

Description	Standard Dim.	Specify Dim.
Projection (mm)	-	
Angle A (degrees)	92.5 / 112.5 / 135	
Angle B (degrees)	92.5 / 112.5 / 135	
Neck (mm)	100	
Tail (mm)	100	



ISOMETRIC VIEW



SIDE VIEW (1 : 5)

Client:	-			
Project:	-			
Title:	Flush Fix Pipe 1-Part Forward Projection Offset Details			
Drawing Status:	ISSUE FOR INFORMATION			
Drawn by:	Checked by:	Date:	Approved by:	Date:
A.S.	A.S.	12/01/2010		
Sheet size:	Sheet No. (of sheets):	Project No.:	Drawing No.:	Revision:
A4	7 (of 25)	-	FF-Broadway Malyan	

GUTTERmaster

ALUMINIUM IN CONSTRUCTION

Shawclough Trading Estate,
Shawclough Road,
Rochdale,
Lancashire.
OL12 6ND

Tel: 01706 869550
Fax: 01706 869551

e-mail: technical@guttermaster
web: www.guttermaster.co.uk

PARTS LIST

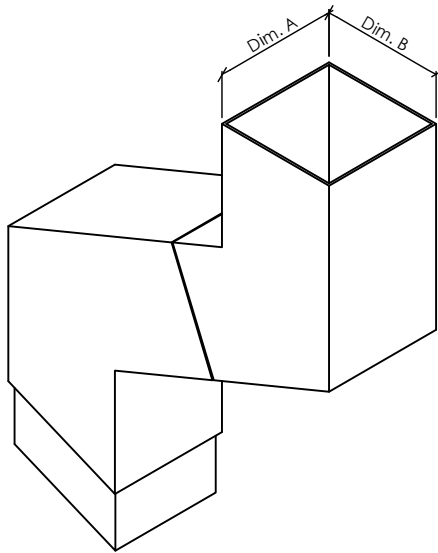
QTY	LENGTH	PART NUMBER	DESCRIPTION	MATERIAL	COLOUR & FINISH
		FFOF2	Flush Fix 2-Part Eaves Offset	2/3mm Aluminum	

STANDARD FLUSH FIX PIPE SIZES

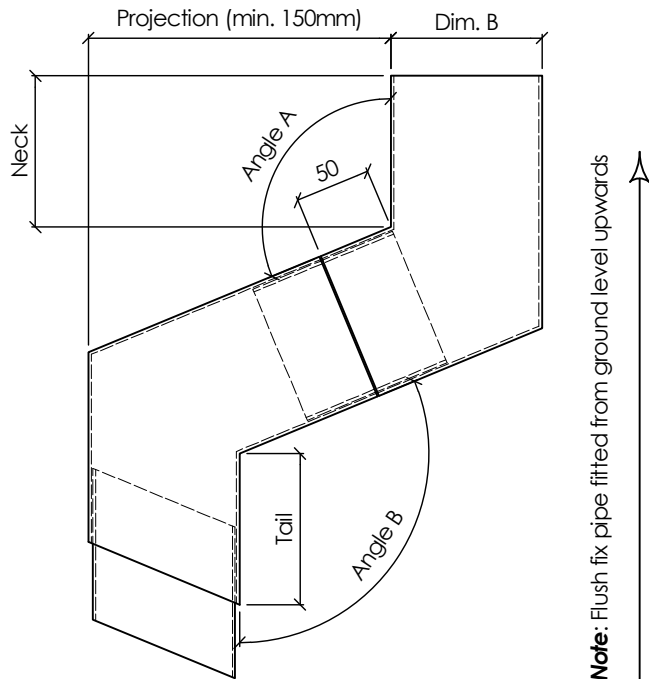
Pipe Reference	Dim. A	Dim. B	Tick Required
FF/3x3	76	76	
FF/4x3	100	76	
FF/4x4	100	100	
FF/6x6	150	150	
FF/8x8	200	200	

COMPONENT DETAILS

Description	Standard Dim.	Specify Dim.
Projection (mm)	-	
Angle A (degrees)	92.5 / 112.5 / 135	
Angle B (degrees)	92.5 / 112.5 / 135	
Neck (mm)	100	
Tail (mm)	100	



ISOMETRIC VIEW



SIDE VIEW (1 : 5)

Note: Flush fix pipe fitted from ground level upwards

Client:	-			
Project:	-			
Title:	Flush Fix 2-Part Eaves Offset Detail			
Drawing Status:	ISSUE FOR INFORMATION			
Drawn by:	Checked by:	Date:	Approved by:	Date:
A.S.	A.S.	12/01/2010		
Sheet size:	Sheet No. (of sheets):	Project No.:	Drawing No.:	Revision:
A4	8 (of 25)	-	FF-Broadway Malayan	

GUTTERmaster

ALUMINIUM IN CONSTRUCTION

Shawclough Trading Estate,
Shawclough Road,
Rochdale,
Lancashire.
OL12 6ND

Tel: 01706 869550
Fax: 01706 869551

e-mail: technical@guttermaster
web: www.guttermaster.co.uk

PARTS LIST

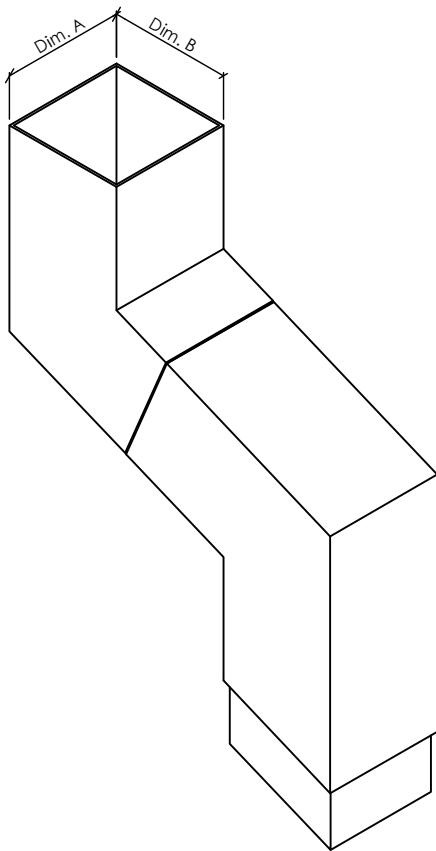
QTY	LENGTH	PART NUMBER	DESCRIPTION	MATERIAL	COLOUR & FINISH
		FFPOF2	Flush Fix 2-Part Forward Projection Eaves Offset	2/3mm Aluminum	

STANDARD FLUSH FIX PIPE SIZES

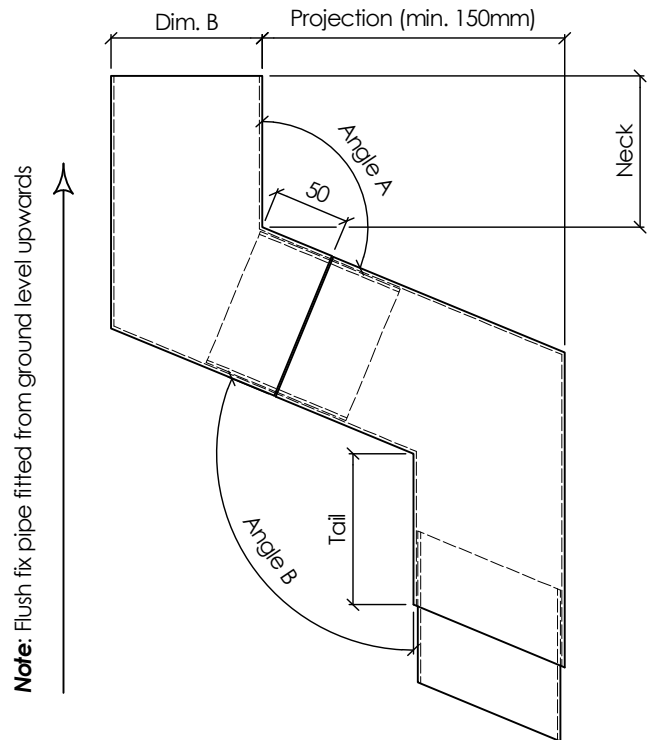
Pipe Reference	Dim. A	Dim. B	Tick Required
FF/3x3	76	76	
FF/4x3	100	76	
FF/4x4	100	100	
FF/6x6	150	150	
FF/8x8	200	200	

COMPONENT DETAILS

Description	Standard Dim.	Specify Dim.
Projection (mm)	-	
Angle A (degrees)	92.5 / 112.5 / 135	
Angle B (degrees)	92.5 / 112.5 / 135	
Neck (mm)	100	
Tail (mm)	100	



ISOMETRIC VIEW



Note: Flush fix pipe fitted from ground level upwards

SIDE VIEW (1 : 5)

Client:					-
Project:					-
Title:					Flush Fix 2-Part Forward Projection Eaves Offset Detail
Drawing Status:					ISSUE FOR INFORMATION
Drawn by:	Checked by:	Date:	Approved by:	Date:	
A.S.	A.S.	12/01/2010			
Sheet size:	Sheet No. (of sheets):	Project No.:	Drawing No.:	Revision:	
A4	9 (of 25)	-	FF-Broadway Malyan		

GUTTERmaster

ALUMINIUM IN CONSTRUCTION

Shawclough Trading Estate,
Shawclough Road,
Rochdale,
Lancashire.
OL12 6ND

Tel: 01706 869550
Fax: 01706 869551

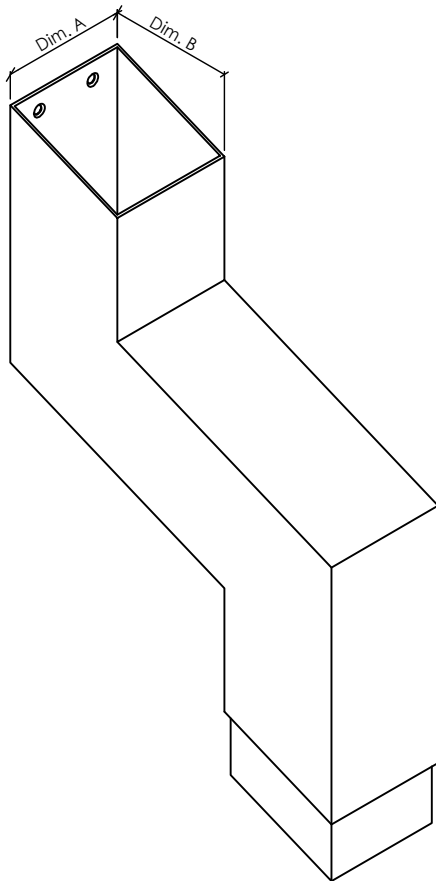
e-mail: technical@guttermaster
web: www.guttermaster.co.uk

PARTS LIST

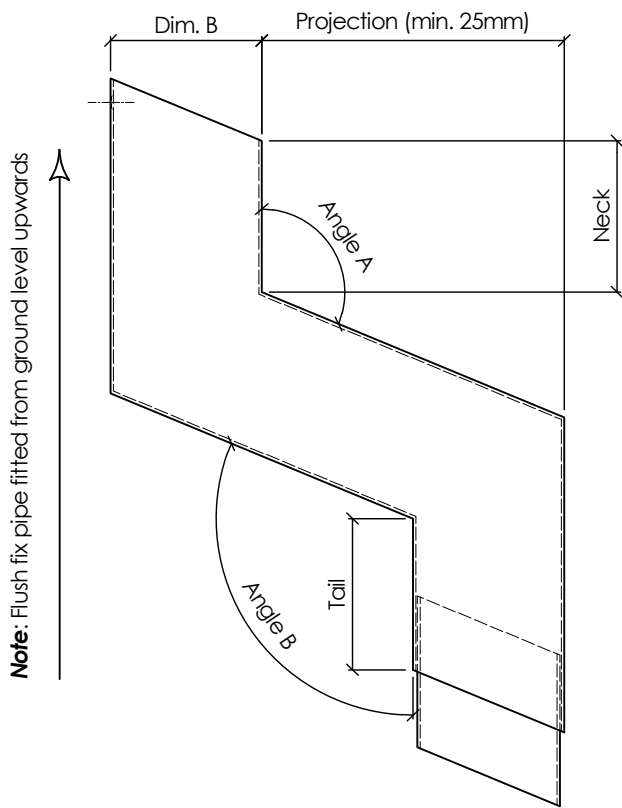
QTY	LENGTH	PART NUMBER	DESCRIPTION	MATERIAL	COLOUR & FINISH
		FFPO1	Flush Fix 1-Part Plinth Offset	2/3mm Aluminum	

STANDARD FLUSH FIX PIPE SIZES			
Pipe Reference	Dim. A	Dim. B	Tick Required
FF/3x3	76	76	
FF/4x3	100	76	
FF/4x4	100	100	
FF/6x6	150	150	
FF/8x8	200	200	

COMPONENT DETAILS		
Description	Standard Dim.	Specify Dim.
Projection (mm)	-	
Angle A (degrees)	92.5 / 112.5 / 135	
Angle B (degrees)	92.5 / 112.5 / 135	
Neck (mm)	100	
Tail (mm)	100	



ISOMETRIC VIEW



SIDE VIEW (1 : 5)

Client:	-			
Project:	-			
Title:	Flush Fix 1-Part Plinth Offset Detail			
Drawing Status:	ISSUE FOR INFORMATION			
Drawn by:	Checked by:	Date:	Approved by:	Date:
A.S.	A.S.	12/01/2010		
Sheet size:	Sheet No. (of sheets):	Project No.:	Drawing No.:	Revision:
A4	10 (of 25)	-	FF-Broadway Malayan	

GUTTERmaster

ALUMINIUM IN CONSTRUCTION

Shawclough Trading Estate,
Shawclough Road,
Rochdale,
Lancashire.
OL12 6ND

Tel: 01706 869550
Fax: 01706 869551

e-mail: technical@guttermaster
web: www.guttermaster.co.uk

PARTS LIST

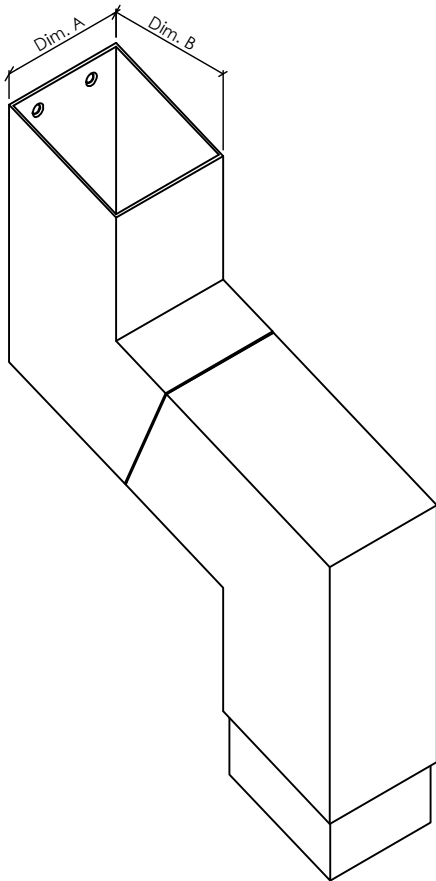
QTY	LENGTH	PART NUMBER	DESCRIPTION	MATERIAL	COLOUR & FINISH
		FFPO2	Flush Fix 2-Part Plinth Offset	2/3mm Aluminum	

STANDARD FLUSH FIX PIPE SIZES

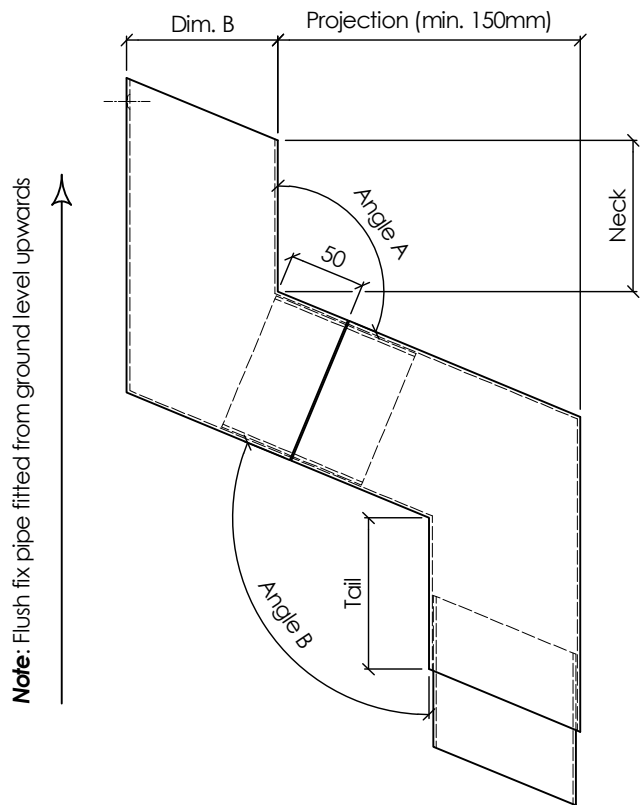
Pipe Reference	Dim. A	Dim. B	Tick Required
FF/3x3	76	76	
FF/4x3	100	76	
FF/4x4	100	100	
FF/6x6	150	150	
FF/8x8	200	200	

COMPONENT DETAILS

Description	Standard Dim.	Specify Dim.
Projection (mm)	-	
Angle A (degrees)	92.5 / 112.5 / 135	
Angle B (degrees)	92.5 / 112.5 / 135	
Neck (mm)	100	
Tail (mm)	100	



ISOMETRIC VIEW



Note: Flush fix pipe fitted from ground level upwards

SIDE VIEW (1 : 5)

Client:	-		
Project:	-		
Title:	Flush Fix 2-Part Plinth Offset		
Drawing Status:	ISSUE FOR INFORMATION		
Drawn by:	Checked by:	Date:	Approved by:
A.S.	A.S.	12/01/2010	
Sheet size:	Sheet No. (of sheets):	Project No.:	Drawing No.:
A4	11 (of 25)	-	FF-Broadway Malyan

GUTTERmaster

ALUMINIUM IN CONSTRUCTION

Shawclough Trading Estate,
Shawclough Road,
Rochdale,
Lancashire.
OL12 6ND

Tel: 01706 869550
Fax: 01706 869551

e-mail: technical@guttermaster
web: www.guttermaster.co.uk

PARTS LIST

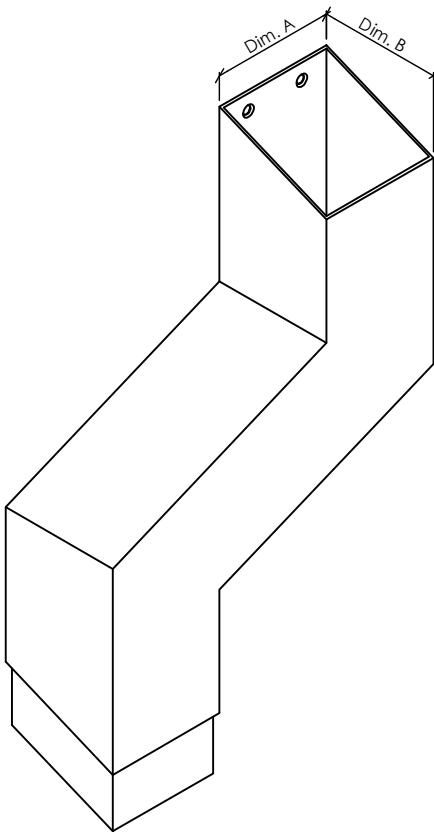
QTY	LENGTH	PART NUMBER	DESCRIPTION	MATERIAL	COLOUR & FINISH
		FFLHO1	Flush Fix 1-Part Left Hand Side Offset	2/3mm Aluminum	

STANDARD FLUSH FIX PIPE SIZES

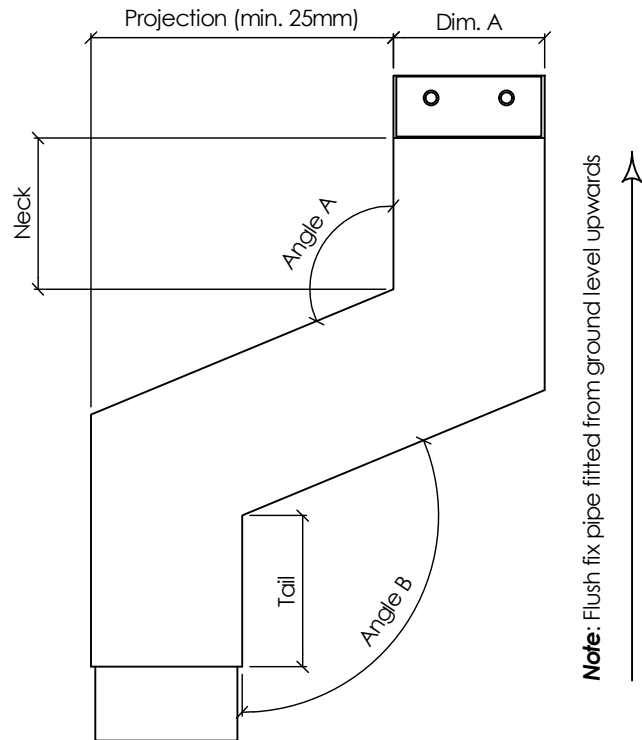
Pipe Reference	Dim. A	Dim. B	Tick Required
FF/3x3	76	76	
FF/4x3	100	76	
FF/4x4	100	100	
FF/6x6	150	150	
FF/8x8	200	200	

COMPONENT DETAILS

Description	Standard Dim.	Specify Dim.
Projection (mm)	-	
Angle A (degrees)	92.5 / 112.5 / 135	
Angle B (degrees)	92.5 / 112.5 / 135	
Neck (mm)	100	
Tail (mm)	100	



ISOMETRIC VIEW



FRONT VIEW (1 : 5)

Client:	-			
Project:	-			
Title:	Flush Fix 1-Part Left Hand Side Offset Detail			
Drawing Status:	ISSUE FOR INFORMATION			
Drawn by:	Checked by:	Date:	Approved by:	Date:
A.S.	A.S.	12/01/2010		
Sheet size:	Sheet No. (of sheets):	Project No.:	Drawing No.:	Revision:
A4	12 (of 25)	-	FF-Broadway Malyan	

GUTTERmaster

ALUMINIUM IN CONSTRUCTION

Shawclough Trading Estate,
Shawclough Road,
Rochdale,
Lancashire.
OL12 6ND

Tel: 01706 869550
Fax: 01706 869551

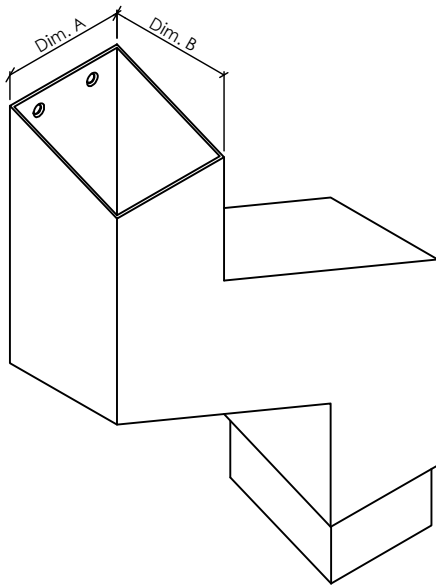
e-mail: technical@guttermaster
web: www.guttermaster.co.uk

PARTS LIST

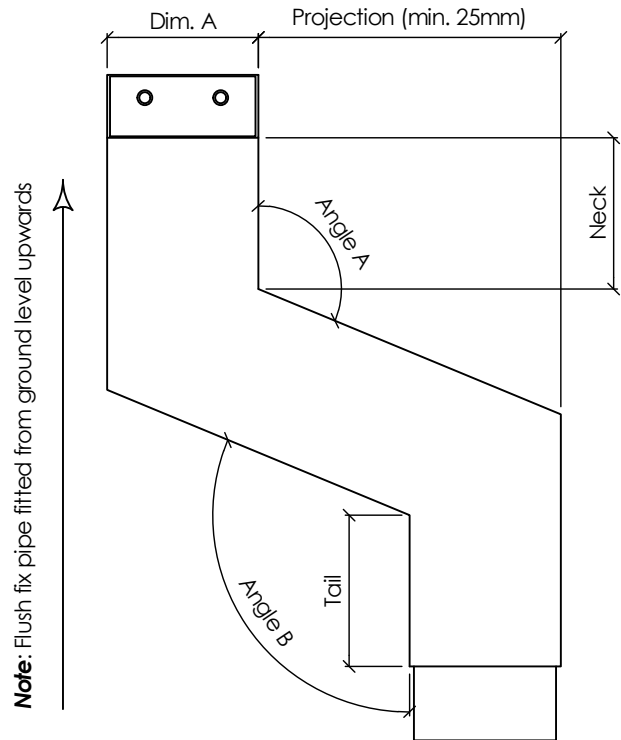
QTY	LENGTH	PART NUMBER	DESCRIPTION	MATERIAL	COLOUR & FINISH
		FFROF1	Flush Fix 1-Part Right Hand Side Offset	2/3mm Aluminum	

STANDARD FLUSH FIX PIPE SIZES			
Pipe Reference	Dim. A	Dim. B	Tick Required
FF/3x3	76	76	
FF/4x3	100	76	
FF/4x4	100	100	
FF/6x6	150	150	
FF/8x8	200	200	

COMPONENT DETAILS		
Description	Standard Dim.	Specify Dim.
Projection (mm)	-	
Angle A (degrees)	92.5 / 112.5 / 135	
Angle B (degrees)	92.5 / 112.5 / 135	
Neck (mm)	100	
Tail (mm)	100	



ISOMETRIC VIEW



FRONT VIEW (1 : 5)

Client:	-			
Project:	-			
Title:	Flush Fix 1-Part Right Hand Side Offset Detail			
Drawing Status:	ISSUE FOR INFORMATION			
Drawn by:	Checked by:	Date:	Approved by:	Date:
A.S.	A.S.	12/01/2010		
Sheet size:	Sheet No. (of sheets):	Project No.:	Drawing No.:	Revision:
A4	13 (of 25)	-	FF-Broadway Malyan	

GUTTERmaster

ALUMINIUM IN CONSTRUCTION

Shawclough Trading Estate,
Shawclough Road,
Rochdale,
Lancashire.
OL12 6ND

Tel: 01706 869550
Fax: 01706 869551

e-mail: technical@guttermaster
web: www.guttermaster.co.uk

PARTS LIST

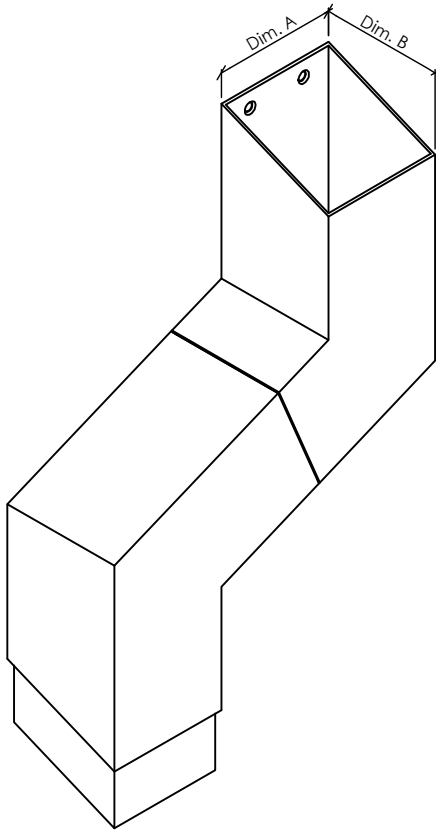
QTY	LENGTH	PART NUMBER	DESCRIPTION	MATERIAL	COLOUR & FINISH
		FFLHO2	Flush Fix 2-Part Left Hand Side Offset	2/3mm Aluminum	

STANDARD FLUSH FIX PIPE SIZES

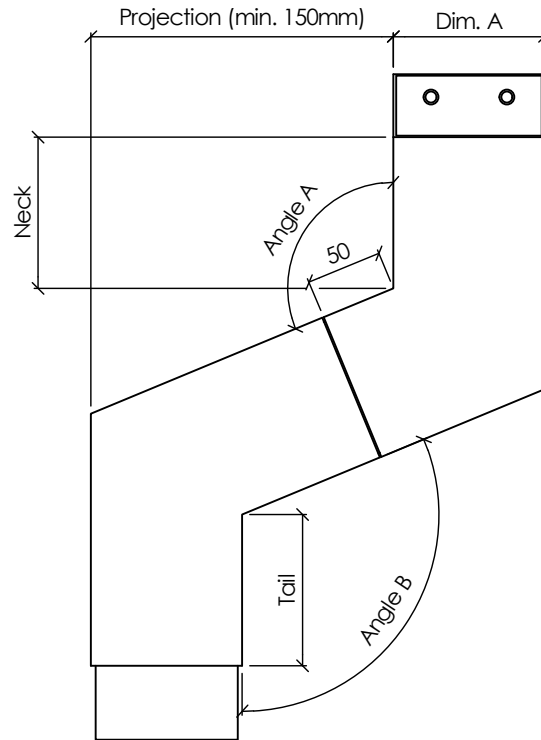
Pipe Reference	Dim. A	Dim. B	Tick Required
FF/3x3	76	76	
FF/4x3	100	76	
FF/4x4	100	100	
FF/6x6	150	150	
FF/8x8	200	200	

COMPONENT DETAILS

Description	Standard Dim.	Specify Dim.
Projection (mm)	-	
Angle A (degrees)	92.5 / 112.5 / 135	
Angle B (degrees)	92.5 / 112.5 / 135	
Neck (mm)	100	
Tail (mm)	100	



ISOMETRIC VIEW



FRONT VIEW (1 : 5)

Client:	-			
Project:	-			
Title:	Flush Fix 2-Part Left Hand Offset Detail			
Drawing Status:	ISSUE FOR INFORMATION			
Drawn by:	Checked by:	Date:	Approved by:	Date:
A.S.	A.S.	12/01/2010		
Sheet size:	Sheet No. (of sheets):	Project No.:	Drawing No.:	Revision:
A4	14 (of 25)	-	FF-Broadway Malayan	

GUTTERmaster

ALUMINIUM IN CONSTRUCTION

Shawclough Trading Estate,
Shawclough Road,
Rochdale,
Lancashire.
OL12 6ND

Tel: 01706 869550
Fax: 01706 869551

e-mail: technical@guttermaster
web: www.guttermaster.co.uk

PARTS LIST

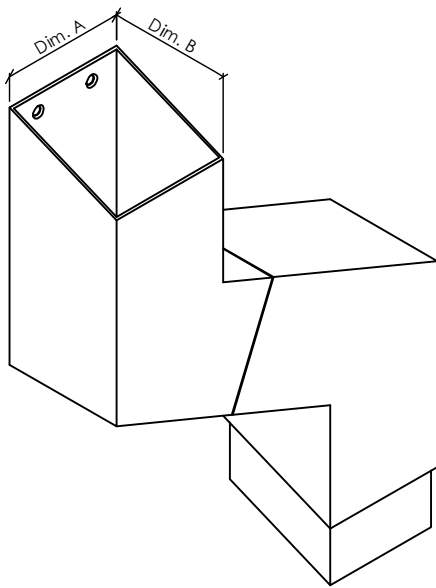
QTY	LENGTH	PART NUMBER	DESCRIPTION	MATERIAL	COLOUR & FINISH
		FFRB2	Flush Fix 2-Part Right Hand Side Offset	2/3mm Aluminum	

STANDARD FLUSH FIX PIPE SIZES

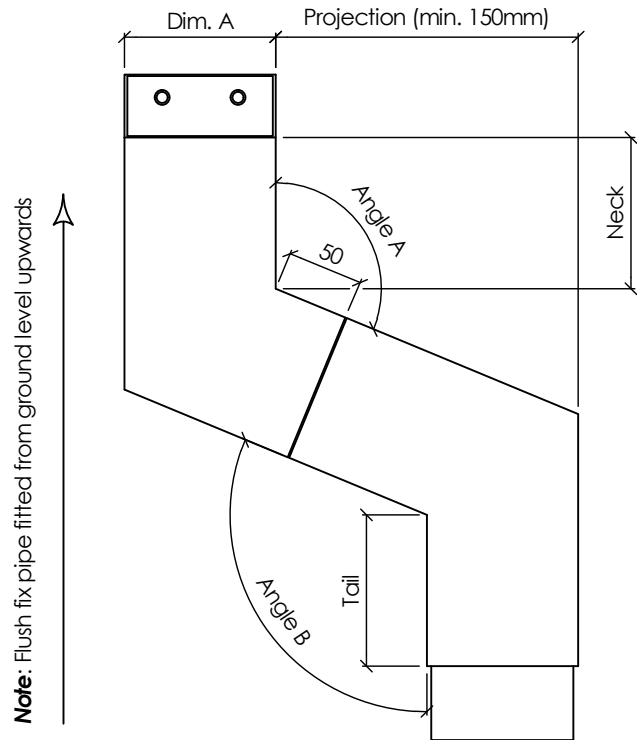
Pipe Reference	Dim. A	Dim. B	Tick Required
FF/3x3	76	76	
FF/4x3	100	76	
FF/4x4	100	100	
FF/6x6	150	150	
FF/8x8	200	200	

COMPONENT DETAILS

Description	Standard Dim.	Specify Dim.
Projection (mm)	-	
Angle A (degrees)	92.5 / 112.5 / 135	
Angle B (degrees)	92.5 / 112.5 / 135	
Neck (mm)	100	
Tail (mm)	100	



ISOMETRIC VIEW



FRONT VIEW (1 : 5)

Client:	-			
Project:	-			
Title:	Flush Fix 2-Part Right Hand Side Offset Detail			
Drawing Status:	ISSUE FOR INFORMATION			
Drawn by:	Checked by:	Date:	Approved by:	Date:
A.S.	A.S.	12/01/2010		
Sheet size:	Sheet No. (of sheets):	Project No:	Drawing No:	Revision:
A4	15 (of 25)	-	FF-Broadway Malyan	

GUTTERmaster

ALUMINIUM IN CONSTRUCTION

Shawclough Trading Estate,
Shawclough Road,
Rochdale,
Lancashire.
OL12 6ND

Tel: 01706 869550
Fax: 01706 869551

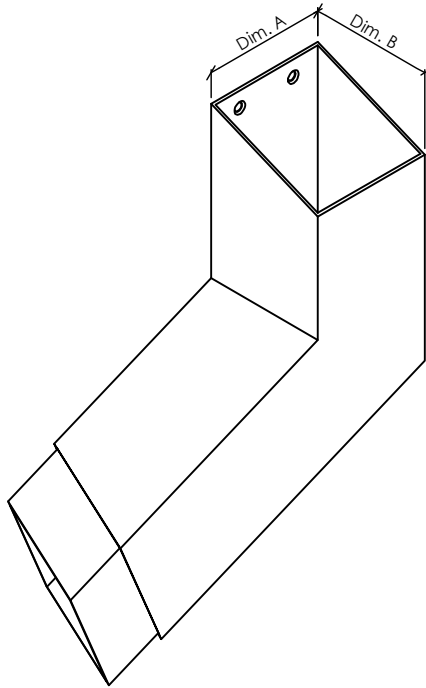
e-mail: technical@guttermaster
web: www.guttermaster.co.uk

PARTS LIST

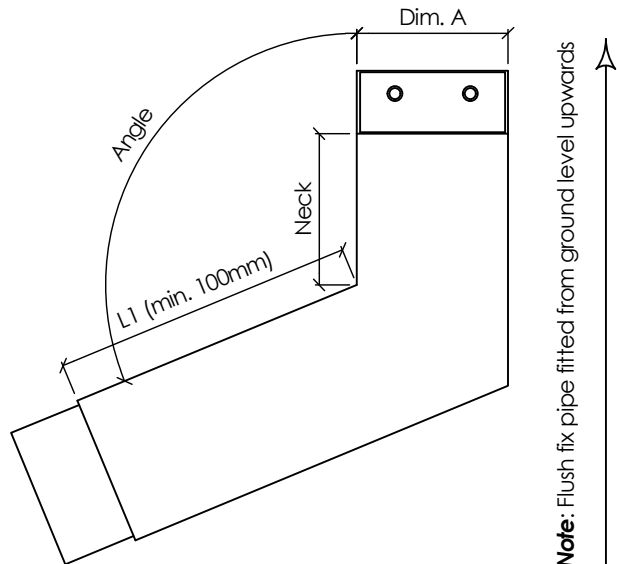
QTY	LENGTH	PART NUMBER	DESCRIPTION	MATERIAL	COLOUR & FINISH
		FFLB	Flush Fix Left Hand Side Bend	2/3mm Aluminum	

STANDARD FLUSH FIX PIPE SIZES			
Pipe Reference	Dim. A	Dim. B	Tick Required
FF/3x3	76	76	
FF/4x3	100	76	
FF/4x4	100	100	
FF/6x6	150	150	
FF/8x8	200	200	

COMPONENT DETAILS		
Description	Standard Dim.	Specify Dim.
L1 (mm)	100	
Angle (degrees)	92.5 / 112.5 / 135	
Neck (mm)	100	



ISOMETRIC VIEW



FRONT VIEW (1 : 5)

Client:	-			
Project:	-			
Title:	Flush Fix Left Hand Bend Detail			
Drawing Status:	ISSUE FOR INFORMATION			
Drawn by:	Checked by:	Date:	Approved by:	Date:
A.S.	A.S.	12/01/2010		
Sheet size:	Sheet No. (of sheets):	Project No:	Drawing No:	Revision:
A4	16 (of 25)	-	FF-Broadway Malyan	

GUTTERmaster

ALUMINIUM IN CONSTRUCTION

Shawclough Trading Estate,
Shawclough Road,
Rochdale,
Lancashire.
OL12 6ND

Tel: 01706 869550
Fax: 01706 869551

e-mail: technical@guttermaster
web: www.guttermaster.co.uk

PARTS LIST

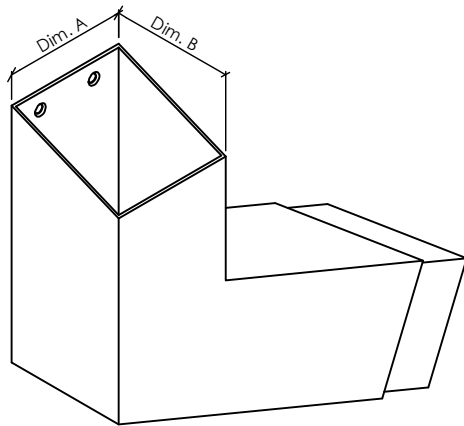
QTY	LENGTH	PART NUMBER	DESCRIPTION	MATERIAL	COLOUR & FINISH
		FFRB	Flush Fix Right Hand Side Bend	2/3mm Aluminum	

STANDARD FLUSH FIX PIPE SIZES

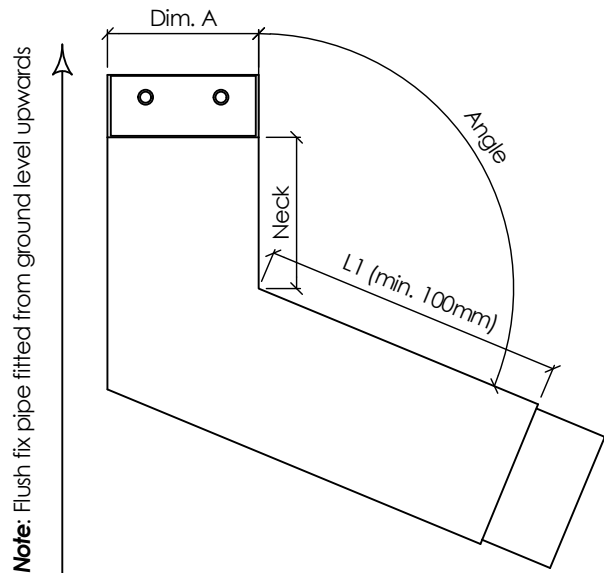
Pipe Reference	Dim. A	Dim. B	Tick Required
FF/3x3	76	76	
FF/4x3	100	76	
FF/4x4	100	100	
FF/6x6	150	150	
FF/8x8	200	200	

COMPONENT DETAILS

Description	Standard Dim.	Specify Dim.
L1 (mm)	100	
Angle (degrees)	92.5 / 112.5 / 135	
Neck (mm)	100	



ISOMETRIC VIEW



Note: Flush fix pipe fitted from ground level upwards

FRONT VIEW (1 : 5)

Client:	-			
Project:	-			
Title:	Flush Fix Right Hand Bend Detail			
Drawing Status:	ISSUE FOR INFORMATION			
Drawn by:	Checked by:	Date:	Approved by:	Date:
A.S.	A.S.	12/01/2010		
Sheet size:	Sheet No. (of sheets):	Project No.:	Drawing No.:	Revision:
A4	17 (of 25)	-	FF-Broadway Malyan	

GUTTERmaster

ALUMINIUM IN CONSTRUCTION

Shawclough Trading Estate,
Shawclough Road,
Rochdale,
Lancashire.
OL12 6ND

Tel: 01706 869550
Fax: 01706 869551

e-mail: technical@guttermaster
web: www.guttermaster.co.uk

PARTS LIST

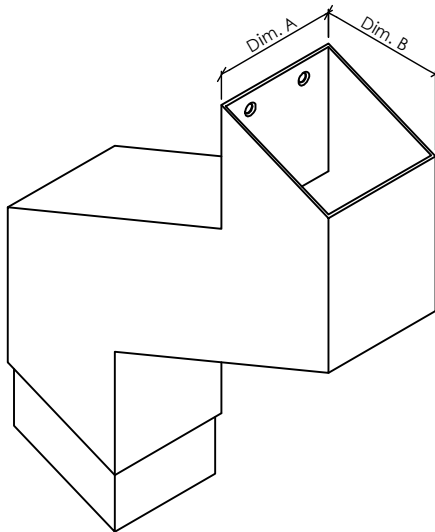
QTY	LENGTH	PART NUMBER	DESCRIPTION	MATERIAL	COLOUR & FINISH
		FFRO1	Flush Fix 1-Part Rear Projection Plinth Offset	2/3mm Aluminum	

STANDARD FLUSH FIX PIPE SIZES

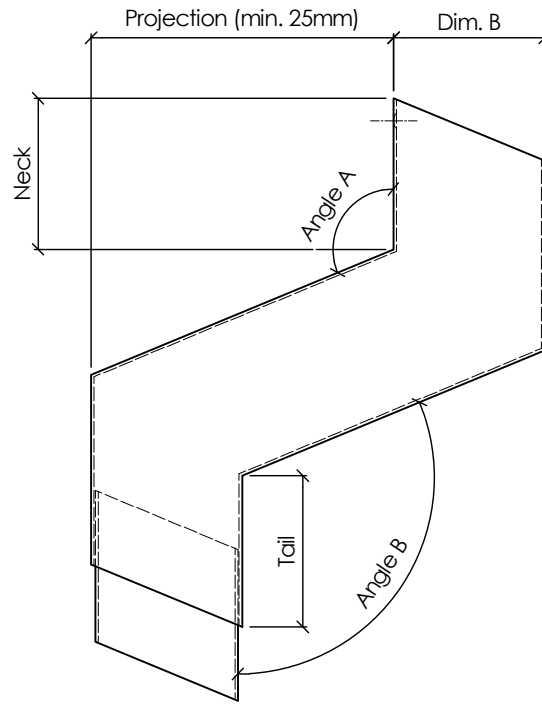
Pipe Reference	Dim. A	Dim. B	Tick Required
FF/3x3	76	76	
FF/4x3	100	76	
FF/4x4	100	100	
FF/6x6	150	150	
FF/8x8	200	200	

COMPONENT DETAILS

Description	Standard Dim.	Specify Dim.
Projection (mm)	-	
Angle A (degrees)	92.5 / 112.5 / 135	
Angle B (degrees)	92.5 / 112.5 / 135	
Neck (mm)	100	
Tail (mm)	100	



ISOMETRIC VIEW



SIDE VIEW (1 : 5)

Note: Flush fix pipe fitted from ground level upwards

Client:	-			
Project:	-			
Title:	Flush Fix 1-Part Rear Projection Plinth Offset Detail			
Drawing Status:	ISSUE FOR INFORMATION			
Drawn by:	Checked by:	Date:	Approved by:	Date:
A.S.	A.S.	12/01/2010		
Sheet size:	Sheet No. (of sheets):	Project No.:	Drawing No.:	Revision:
A4	18 (of 25)	-	FF-Broadway Malyan	

GUTTERmaster

ALUMINIUM IN CONSTRUCTION

Shawclough Trading Estate,
Shawclough Road,
Rochdale,
Lancashire.
OL12 6ND

Tel: 01706 869550
Fax: 01706 869551

e-mail: technical@guttermaster
web: www.guttermaster.co.uk

PARTS LIST

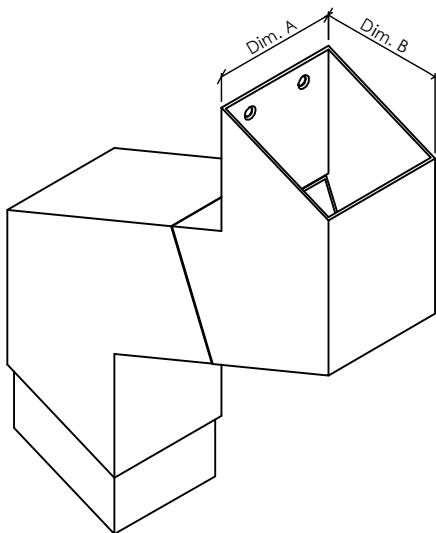
QTY	LENGTH	PART NUMBER	DESCRIPTION	MATERIAL	COLOUR & FINISH
		FFRO2	Flush Fix 2-Part Rear Projection Plinth Offset	2/3mm Aluminum	

STANDARD FLUSH FIX PIPE SIZES

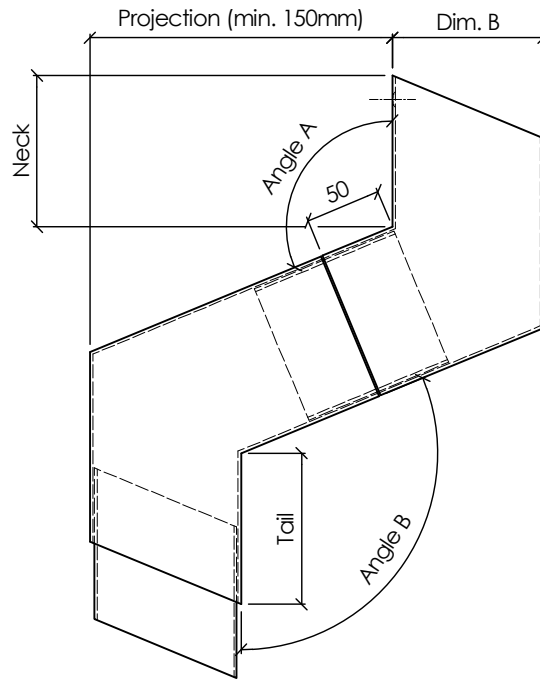
Pipe Reference	Dim. A	Dim. B	Tick Required
FF/3x3	76	76	
FF/4x3	100	76	
FF/4x4	100	100	
FF/6x6	150	150	
FF/8x8	200	200	

COMPONENT DETAILS

Description	Standard Dim.	Specify Dim.
Projection (mm)	-	
Angle A (degrees)	92.5 / 112.5 / 135	
Angle B (degrees)	92.5 / 112.5 / 135	
Neck (mm)	100	
Tail (mm)	100	



ISOMETRIC VIEW



Note: Flush fix pipe fitted from ground level upwards

SIDE VIEW (1 : 5)

Client:	-			
Project:	-			
Title:	Flush Fix 2-Part Rear Projection Plinth Offset Detail			
Drawing Status:	ISSUE FOR INFORMATION			
Drawn by:	Checked by:	Date:	Approved by:	Date:
A.S.	A.S.	12/01/2010		
Sheet size:	Sheet No. (of sheets):	Project No.:	Drawing No.:	Revision:
A4	19 (of 25)	-	FF-Broadway Malayan	

GUTTERmaster

ALUMINIUM IN CONSTRUCTION

Shawclough Trading Estate,
Shawclough Road,
Rochdale,
Lancashire,
OL12 6ND

Tel: 01706 869550
Fax: 01706 869551

e-mail: technical@guttermaster
web: www.guttermaster.co.uk

PARTS LIST

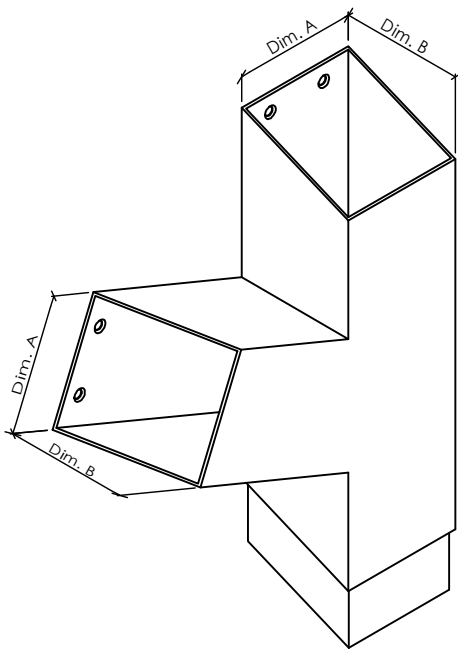
QTY	LENGTH	PART NUMBER	DESCRIPTION	MATERIAL	COLOUR & FINISH
		FFLHBR	Flush Fix Left Hand Side Branch	2/3mm Aluminum	

STANDARD FLUSH FIX PIPE SIZES

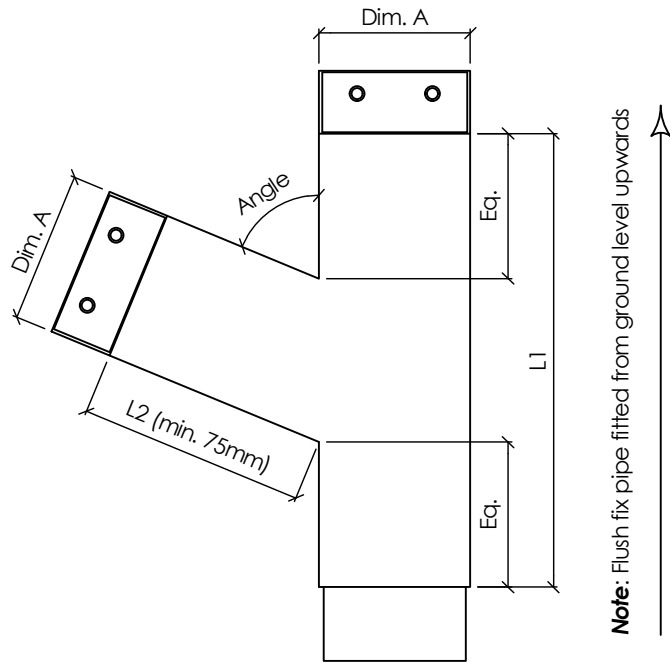
Pipe Reference	Dim. A	Dim. B	Tick Required
FF/3x3	76	76	
FF/4x3	100	76	
FF/4x4	100	100	
FF/6x6	150	150	
FF/8x8	200	200	

COMPONENT DETAILS

Description	Standard Dim.	Specify Dim.
L1 (mm)	300 / 500	
L2 (mm)	150	
Angle (degrees)	92.5 / 112.5 / 135	



ISOMETRIC VIEW



FRONT VIEW (1 : 5)

Note: Flush fix pipe fitted from ground level upwards

Client:	-			
Project:	-			
Title:	Flush Fix Branch with Left Hand Connection Detail			
Drawing Status:	ISSUE FOR INFORMATION			
Drawn by:	Checked by:	Date:	Approved by:	Date:
A.S.	A.S.	12/01/2010		
Sheet size:	Sheet No. (of sheets):	Project No.:	Drawing No.:	Revision:
A4	20 (of 25)	-	FF-Broadway Malyan	

GUTTERmaster

ALUMINIUM IN CONSTRUCTION

Shawclough Trading Estate,
Shawclough Road,
Rochdale,
Lancashire.
OL12 6ND

Tel: 01706 869550
Fax: 01706 869551

e-mail: technical@guttermaster
web: www.guttermaster.co.uk

PARTS LIST

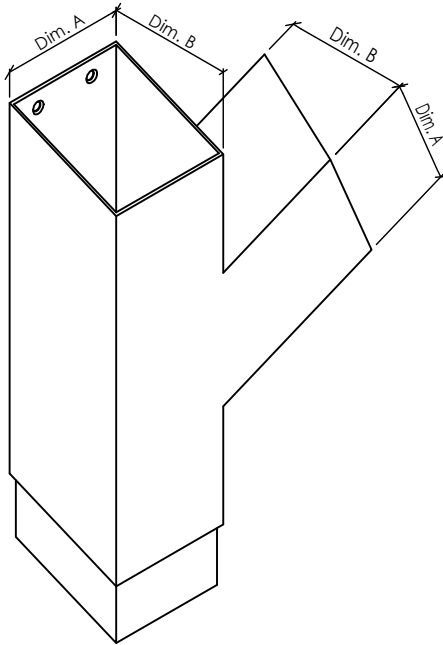
QTY	LENGTH	PART NUMBER	DESCRIPTION	MATERIAL	COLOUR & FINISH
		FFRHBR	Flush Fix Right Hand Side Branch	2/3mm Aluminum	

STANDARD FLUSH FIX PIPE SIZES

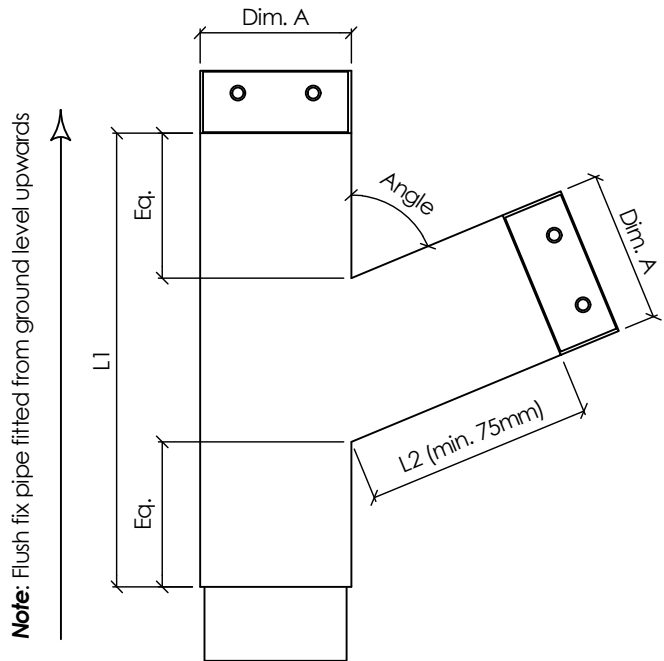
Pipe Reference	Dim. A	Dim. B	Tick Required
FF/3x3	76	76	
FF/4x3	100	76	
FF/4x4	100	100	
FF/6x6	150	150	
FF/8x8	200	200	

COMPONENT DETAILS

Description	Standard Dim.	Specify Dim.
L1 (mm)	300 / 500	
L2 (mm)	150	
Angle (degrees)	92.5 / 112.5 / 135	



ISOMETRIC VIEW



Note: Flush fix pipe fitted from ground level upwards

FRONT VIEW (1 : 5)

Client:	-			
Project:	-			
Title:	Flush Fix Branch with Right Hand Connection Detail			
Drawing Status:	ISSUE FOR INFORMATION			
Drawn by:	Checked by:	Date:	Approved by:	Date:
A.S.	A.S.	12/01/2010		
Sheet size:	Sheet No. (of sheets):	Project No.:	Drawing No.:	Revision:
A4	21 (of 25)	-	FF-Broadway Malyan	

GUTTERmaster

ALUMINIUM IN CONSTRUCTION

Shawclough Trading Estate,
Shawclough Road,
Rochdale,
Lancashire.
OL12 6ND

Tel: 01706 869550
Fax: 01706 869551

e-mail: technical@guttermaster
web: www.guttermaster.co.uk

PARTS LIST

QTY	LENGTH	PART NUMBER	DESCRIPTION	MATERIAL	COLOUR & FINISH
		FFOF1-AD	Flush Fix 1-Part Eaves Offset with Adapter	2/3mm Aluminum	

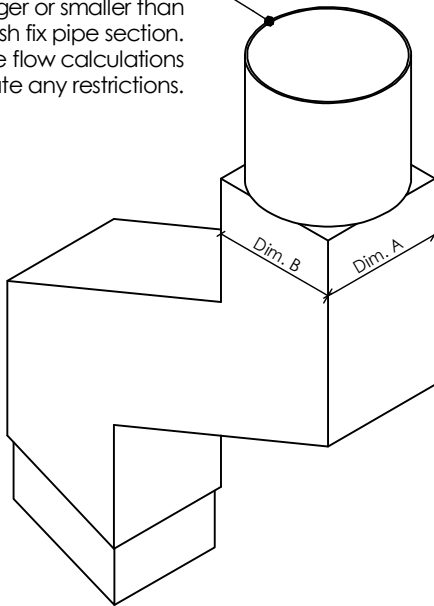
STANDARD FLUSH FIX PIPE SIZES

Pipe Reference	Dim. A	Dim. B	Tick Required
FF/3x3	76	76	
FF/4x3	100	76	
FF/4x4	100	100	
FF/6x6	150	150	
FF/8x8	200	200	

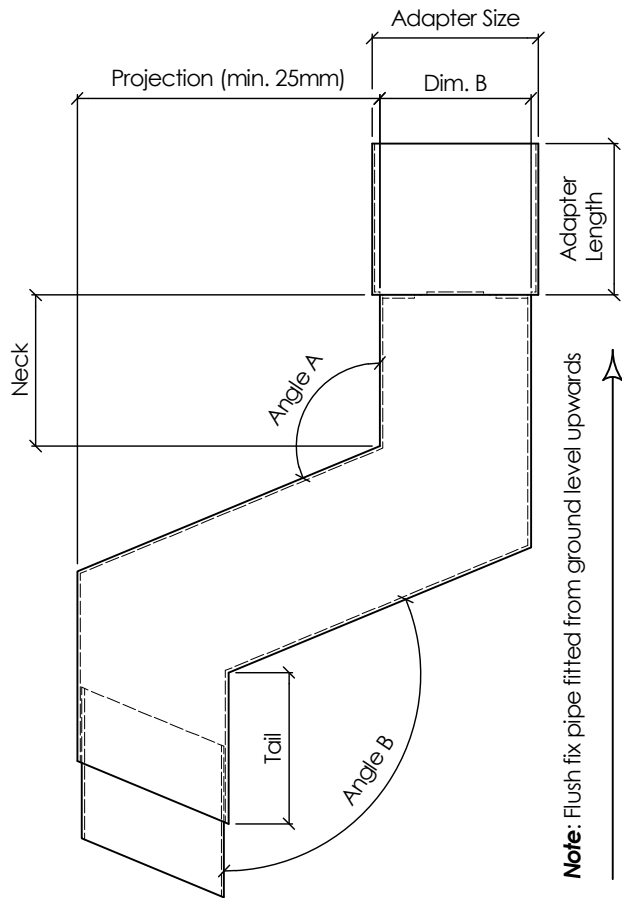
COMPONENT DETAILS

Description	Standard Dim.	Specify Dim.
Projection (mm)	-	
Angle A (degrees)	92.5 / 112.5 / 135	
Angle B (degrees)	92.5 / 112.5 / 135	
Neck (mm)	100	
Tail (mm)	100	
Adapter Size (mm)	-	
Adapter Length (mm)	-	

Note: Adapter diameter can be larger or smaller than the flush fix pipe section. Please ensure flow calculations accommodate any restrictions.



ISOMETRIC VIEW



SIDE VIEW (1 : 5)

Client:	-			
Project:	-			
Title:	Flush Fix Pipe 1-Part Eaves Offset with Adapter Detail			
Drawing Status:	ISSUE FOR INFORMATION			
Drawn by:	Checked by:	Date:	Approved by:	Date:
A.S.	A.S.	12/01/2010		
Sheet size:	Sheet No. (of sheets):	Project No.:	Drawing No.:	Revision:
A4	22 (of 25)	-	FF-Broadway Malyan	

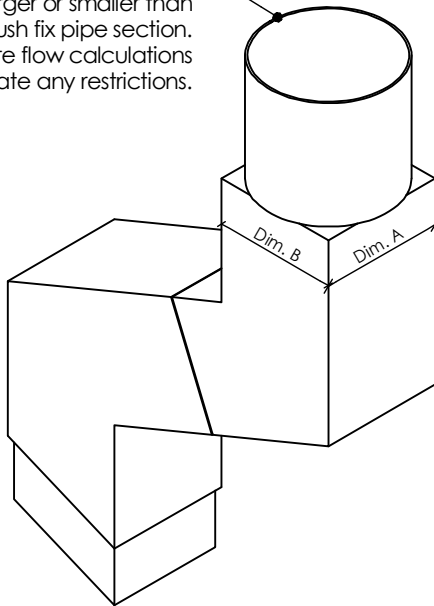
PARTS LIST

QTY	LENGTH	PART NUMBER	DESCRIPTION	MATERIAL	COLOUR & FINISH
		FFOF2-AD	Flush Fix 2-Part Eaves Offset with Adapter	2/3mm Aluminum	

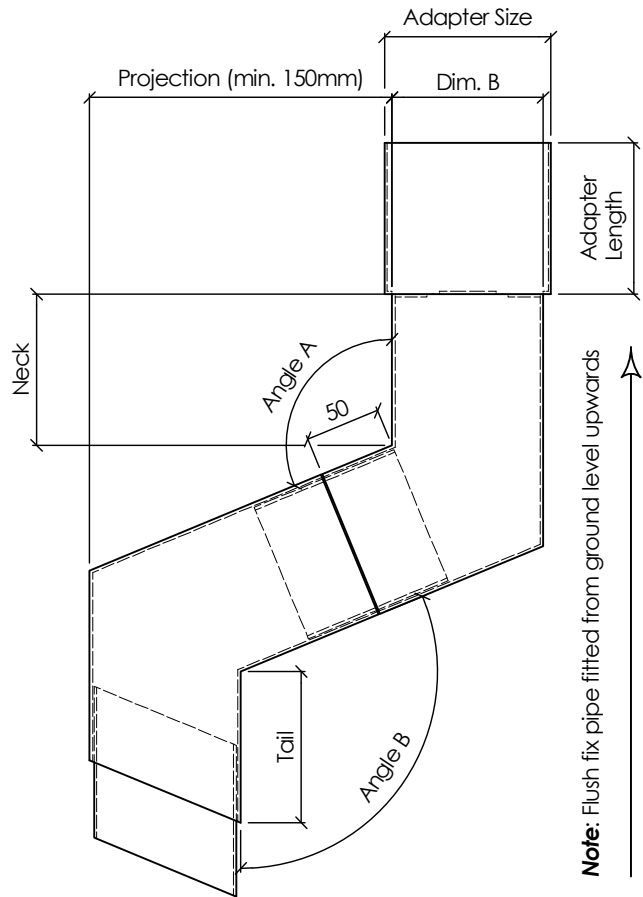
Pipe Reference	Dim. A	Dim. B	Tick Required
FF/3x3	76	76	
FF/4x3	100	76	
FF/4x4	100	100	
FF/6x6	150	150	
FF/8x8	200	200	

Description	Standard Dim.	Specify Dim.
Projection (mm)	-	
Angle A (degrees)	92.5 / 112.5 / 135	
Angle B (degrees)	92.5 / 112.5 / 135	
Neck (mm)	100	
Tail (mm)	100	
Adapter Size (mm)	-	
Adapter Length (mm)	-	

Note: Adapter diameter can be larger or smaller than the flush fix pipe section. Please ensure flow calculations accommodate any restrictions.



ISOMETRIC VIEW



SIDE VIEW (1 : 5)

Client:	-			
Project:	-			
Title:	Flush Fix 2-Part Eaves Offset with Adapter Detail			
Drawing Status:	ISSUE FOR INFORMATION			
Drawn by:	Checked by:	Date:	Approved by:	Date:
A.S.	A.S.	12/01/2010		
Sheet size:	Sheet No. (of sheets):	Project No.:	Drawing No.:	Revision:
A4	23 (of 25)	-	FF-Broadway Malyan	

GUTTERmaster

ALUMINIUM IN CONSTRUCTION

Shawclough Trading Estate,
Shawclough Road,
Rochdale,
Lancashire,
OL12 6ND

Tel: 01706 869550
Fax: 01706 869551

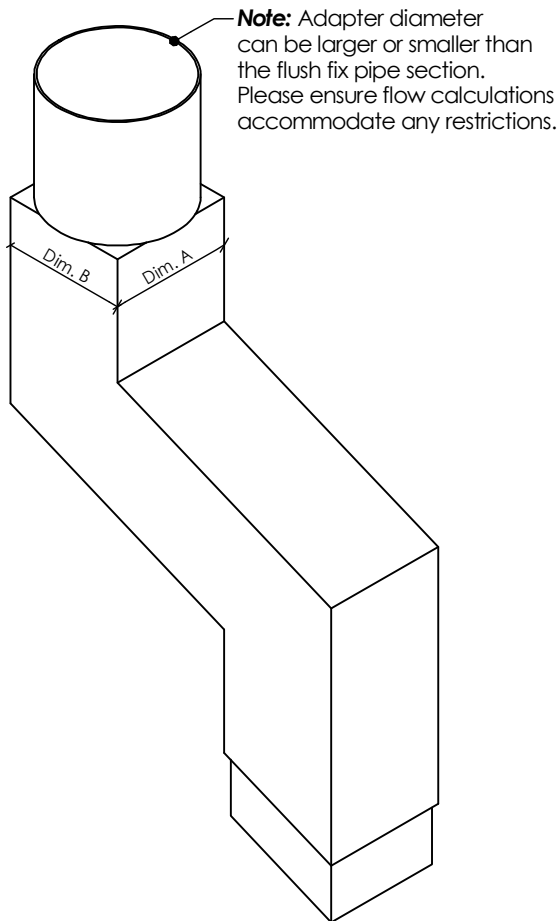
e-mail: technical@guttermaster
web: www.guttermaster.co.uk

PARTS LIST

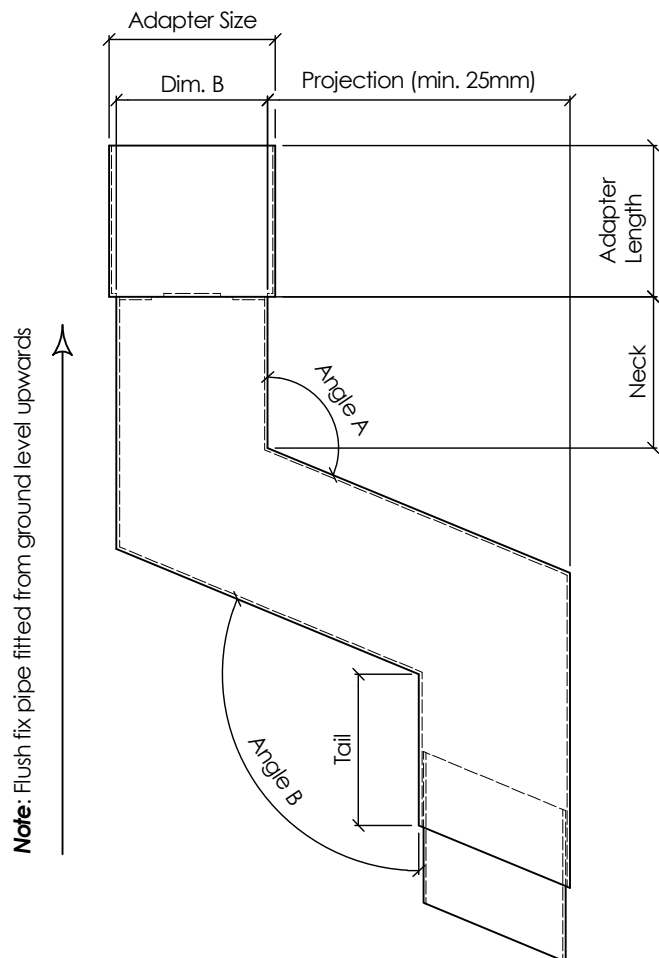
QTY	LENGTH	PART NUMBER	DESCRIPTION	MATERIAL	COLOUR & FINISH
		FFPOF1-AD	Flush Fix 1-Pt. F/wd Proj. Eaves Offset with Adapter	2/3mm Aluminum	

STANDARD FLUSH FIX PIPE SIZES			
Pipe Reference	Dim. A	Dim. B	Tick Required
FF/3x3	76	76	
FF/4x3	100	76	
FF/4x4	100	100	
FF/6x6	150	150	
FF/8x8	200	200	

COMPONENT DETAILS		
Description	Standard Dim.	Specify Dim.
Projection (mm)	-	
Angle A (degrees)	92.5 / 112.5 / 135	
Angle B (degrees)	92.5 / 112.5 / 135	
Neck (mm)	100	
Tail (mm)	100	
Adapter Size (mm)	-	
Adapter Length (mm)	-	



ISOMETRIC VIEW



SIDE VIEW (1 : 5)

Client:	-		
Project:	-		
Title:	Flush Fix 1-Part Forward Projection Eaves Offset Detail		
Drawing Status:	ISSUE FOR INFORMATION		
Drawn by:	Checked by:	Date:	Approved by:
A.S.	A.S.	12/01/2010	
Sheet size:	Sheet No. (of sheets):	Project No.:	Drawing No.:
A4	24 (of 25)	-	FF-Broadway Malvan

GUTTERmaster

ALUMINIUM IN CONSTRUCTION

Shawclough Trading Estate,
Shawclough Road,
Rochdale,
Lancashire.
OL12 6ND

Tel: 01706 869550
Fax: 01706 869551

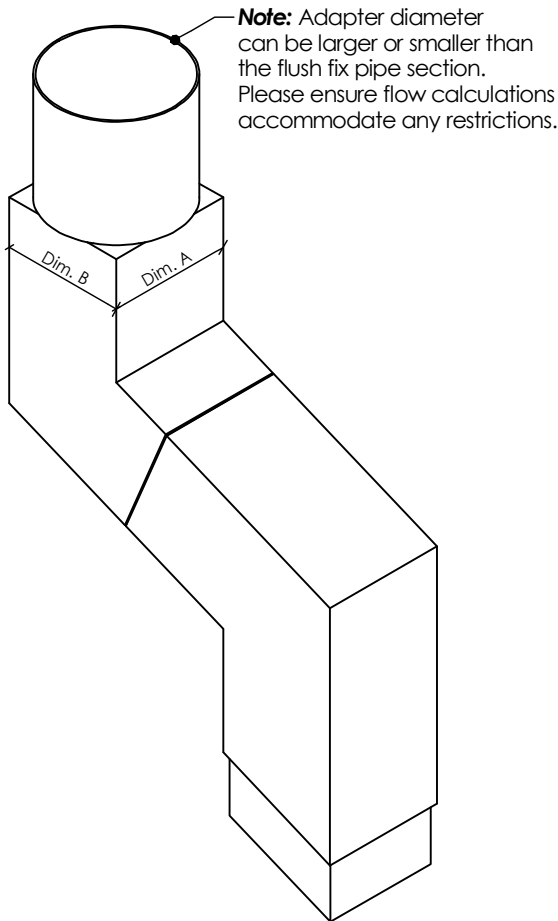
e-mail: technical@guttermaster
web: www.guttermaster.co.uk

PARTS LIST

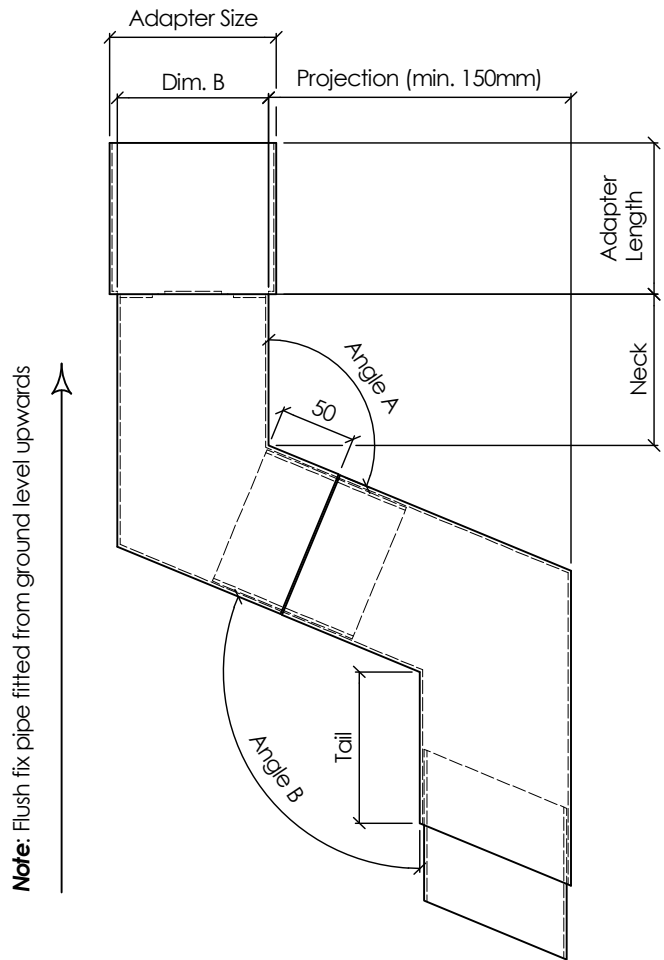
QTY	LENGTH	PART NUMBER	DESCRIPTION	MATERIAL	COLOUR & FINISH
		FFPOF2-AD	Flush Fix 2-Pt. F/wd Proj. Eaves Offset with Adapter	2/3mm Aluminum	

STANDARD FLUSH FIX PIPE SIZES			
Pipe Reference	Dim. A	Dim. B	Tick Required
FF/3x3	76	76	
FF/4x3	100	76	
FF/4x4	100	100	
FF/6x6	150	150	
FF/8x8	200	200	

COMPONENT DETAILS		
Description	Standard Dim.	Specify Dim.
Projection (mm)	-	
Angle A (degrees)	92.5 / 112.5 / 135	
Angle B (degrees)	92.5 / 112.5 / 135	
Neck (mm)	100	
Tail (mm)	100	
Adapter Size (mm)	-	
Adapter Length (mm)	-	



ISOMETRIC VIEW



SIDE VIEW (1 : 5)

Client:	-			
Project:	-			
Title:	Flush Fix 2-Part Forward Projection Eaves Offset			
Drawing Status:	ISSUE FOR INFORMATION			
Drawn by:	Checked by:	Date:	Approved by:	Date:
A.S.	A.S.	12/01/2010		
Sheet size:	Sheet No. (of sheets):	Project No:	Drawing No:	Revision:
A4	25 (of 25)	-	FF-Broadway Malyan	